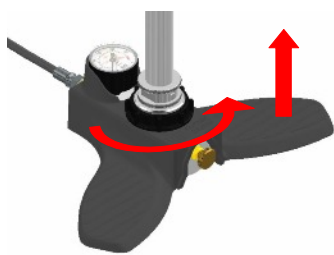


5128 Air Compressor Pump Non Return Valve Kit Z5128-250



Kit comprises of 5mm allen key, 1 large o-ring, 1 spring, 1 non return valve and o-ring, 1 micron filter and 1 bleed screw seal



A1. Unscrew and lift foot plate up

How to replace non return valve



A2. Remove 4 bolts with supplied allen key



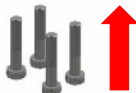
Only replace if damaged

A3. Remove spring, o-ring and non return valve, and replace with new parts

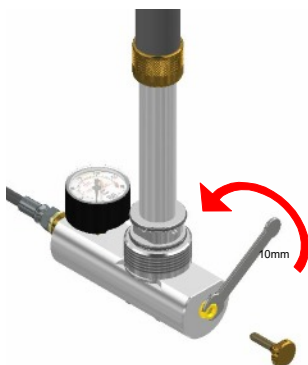


A4. Replace 4 bolts and washers Using 5mm allen key

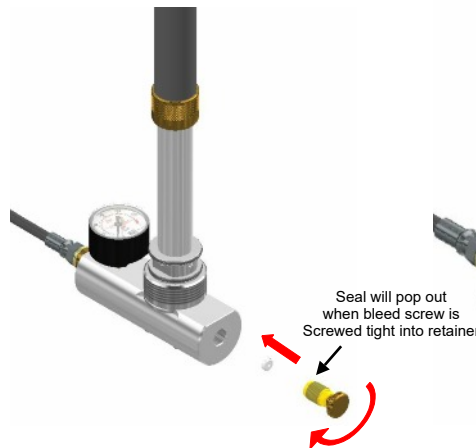
Ensure bolts are nipped up. Add blue (mild) thread locker if required



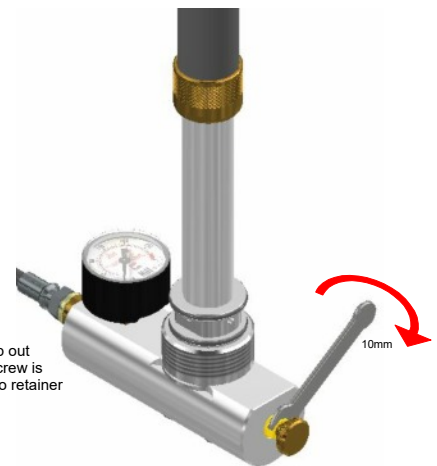
How to replace bleed screw seal



B1. Remove seal retainer with 10mm socket or spanner



B2. Screw bleed screw into seal retainer to remove seal. Replace seal if needed

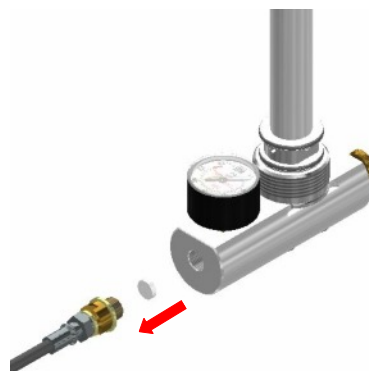


B3. Reinstall seal retainer **do not overtighten**

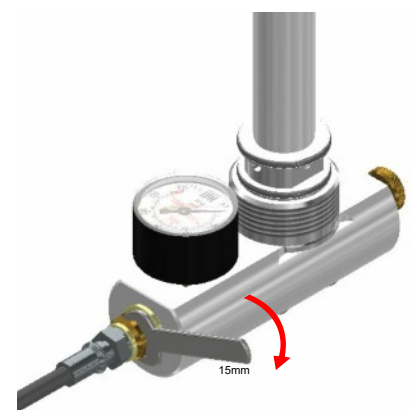
How to replace micron filter



C1. Remove hose end adapter with 15mm spanner



C2. Remove filter using suitable tool



C3. Replace filter and reassemble Spanner tight