

ATHLON
RIDICULOUSLY GOOD OPTICS

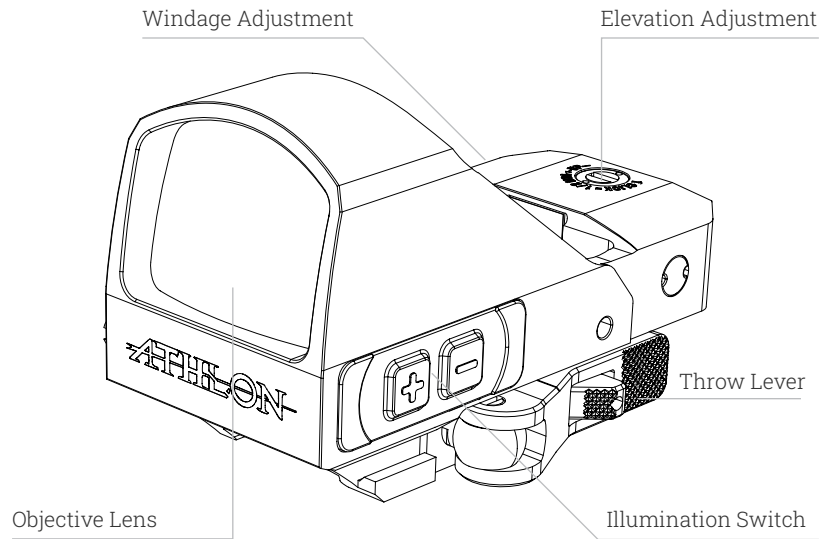
RED DOT SIGHT
USER MANUAL &
CARE INSTRUCTIONS

MIDAS LE GEN2



Congratulations on purchasing an Athlon Red Dot Sight. Athlon is the ancient Greek word for "Prize" or "Medal." We think with the purchase of your Athlon product you have won the best "prize" on the market today.

Great Quality while still being a great value.



1. MOUNTING YOUR MIDAS LE GEN2 RED DOT SIGHT

CAUTION: BEFORE MOUNTING A SIGHTING DEVICE BE SURE THAT THE FIREARM IS NOT LOADED, HAS ACTION OPEN AND THE MUZZLE POINTING IN A SAFE DIRECTION. SAFE FIREARM HANDLING PROCEDURES NEED TO BE PRACTICED AT ALL TIMES.

To achieve the best performance from your firearm and your Athlon Midas LE GEN2, your Red Dot Sight must be mounted properly. If you are unfamiliar with proper procedures to mount a scope, we highly recommend to have the scope mounted by a qualified gunsmith

Midas LE GEN2 comes with a mount that works with most standard picatinny rails.

Athlon Model	Center Height
MIDAS LE GEN2	1.26 inches

A) EYE RELIEF

Red dot sights with no magnification have unlimited eye relief that means you can mount the sight at any distance from your eye as long as you feel comfortable and have the desired field of view you needed. You certainly do not want to mount it too close to your eye as you want to be sure that the distance between the sight and your eye is long enough to prevent any potential injury caused by recoil from your firearm.

Once you find the position, just tighten the mount on the base or rail on top of your rifle.

B) BORE SIGHTING

Bore sighting is a preliminary procedure to achieve proper alignment of the sight with the rifle's bore.

The initial bore sighting of the red dot sight can be at short range of 50 yards. This is easier than trying to bore sight at 100 yards and will get you on the paper at that distance, so to save time and money at the shooting range. We highly

recommend using a bore sighter, but make sure to follow the manufacturer's instructions.

C) ZEROING THE SIGHT

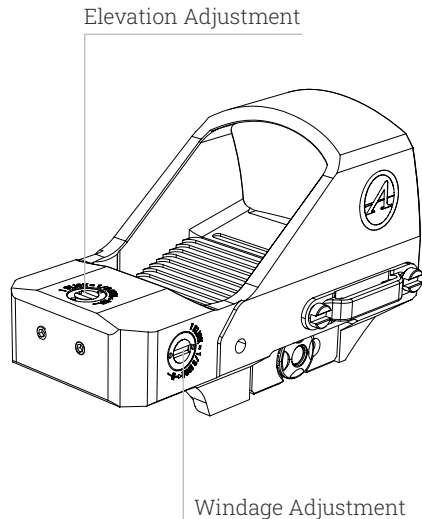
IF A LASER BORE SIGHTING OR ANY OTHER SIMILAR DEVICE INSIDE THE BORE WAS USED, IT MUST BE REMOVED BEFORE FIRING. AN OBSTRUCTED BORE CAN CAUSE SERIOUS DAMAGE TO THE GUN AND POSSIBLE INJURY TO THE SHOOTER.

1. Ideally set the rifle on a two or three holding point gun rest, and then fire three rounds at a target 100 yards away. Observe the bullet holes on the target and calculate how far those bullet holes are off the center of the target, and then adjust windage and elevation screws by using the wrench provided or simply a coin to move the center of reticle up, down, left or right. Fire another three rounds, then observe and adjust. Repeat this step as nec-

essary until the three round bullet holes are perfectly aligned with the center of the target.

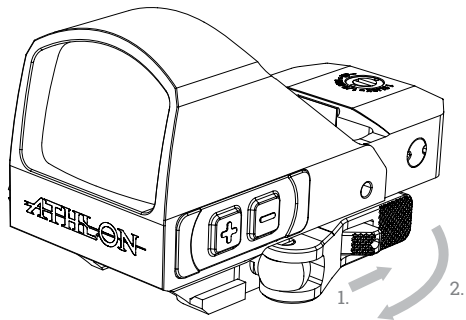
2. Setting Windage and Elevation:
Athlon Midas LE GEN2 Red Dot Sight has adjustable windage and elevation turrets. You can use the included screwdriver to make any adjustment for both elevation and windage.

Athlon Midas LE GEN2 Red Dot Sight has 0.5 MOA for click values of elevation and windage adjustment. MOA, a unit of angular measurement, is defined as a minute of angle, a minute is 1/60th of one degree and 1/21600th of a circle. One MOA equals 1.047-inch (rounded down to one inch) at 100 yards, two inches at 200 yards and to ten inches at 1000 yards. 1/2 MOA per click takes two clicks to move point of impact one inch at 100 yards.



D) MOUNTING TO PICATINNY RAIL

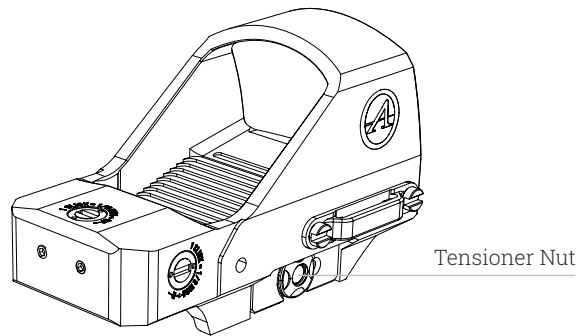
Push the button back on the throw lever and pivot the throw lever forward into the open position. Place the red dot on the picatinny rail in a position that provides proper eye relief. Once in place flip the throw lever back into the closed position.



1. Push back
2. Pivot forward

e) ADJUSTING FOR TENSION

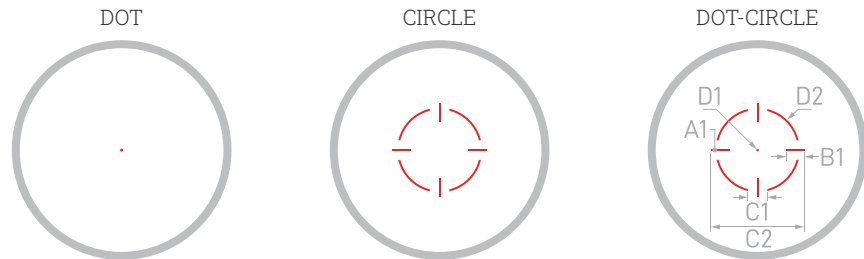
If the throw lever applies too much tension to close, or not enough tension to securely hold the magnifier, you can easily adjust this using the tensioner nut. With the throw lever in the open position adjust, use the included tool to tighten or loosen the nut in small increments. Pivot the throw lever back to the closed position intermittently to check the tension. The throw lever should be snug locking into the closed position, without using excessive force.



Tensioner Nut

2. INTERCHANGEABLE RETICLES

Athlon Midas LE GEN2 Red Dot Sight has fixed 1X magnification. The unit has 3 interchangeable reticles that are: dot, circle, and dot-circle. Short press "+" and "-" simultaneously to switch between the three reticle patterns.



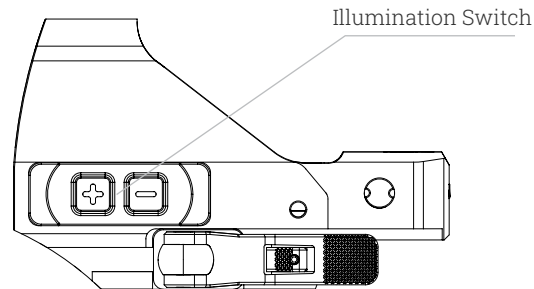
MIDAS LE GEN2 RETICLE

SUBTENSIONS (MOA)

A1	B1	C1	C2	D1	D2
1.5	14	15	72	2	65

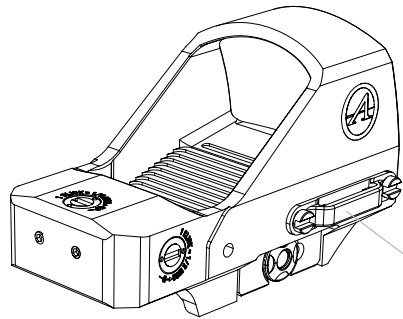
A) ILLUMINATION

Illumination adjustment buttons are on the left side of the chassis. Athlon Midas LE GEN2 offers variable 1-6 brightness settings for each reticle pattern. Short press "+" or "-" button to turn the unit "ON", and long press "+" button for 3 seconds to turn it "OFF". Use "+" and "-" to adjust the brightness of the reticle. The Midas LE GEN2 is powered by a lithium CR2032 3V battery and has 50K hours of battery life.



B) CHANGING THE BATTERY

Open the battery chamber by removing the two side screws and then set the battery with the positive (+) side facing up. Reinsert the battery chamber and secure the side screws, DO NOT OVER TIGHTEN. The unit goes into sleep mode after 5 minute idle time and wakes up with any motion detected. It automatically turns "OFF" if no motion is detected in 2 hours. The unit will return to last used illumination setting after power is turned back "ON".



Battery Chamber

3. MAINTAINING YOUR RED DOT SIGHT

Disassembling or cleaning the sight internally will void the warranty. If the sight requires repairs, please refer to the warranty section for complete instructions.

The external optical surfaces should occasionally be wiped clean. Use the lens cloth provided or an optical quality lens paper to wipe out dust or dirt on the external lens surface. If large sand particles or heavy dirt contamination is observed, remove using soft brush or by blowing them away. Apply lens cleaning liquid before wiping off. Always keep the protective lens covers in place when the scope is not in use to avoid dust collecting on the surface of the lenses. Store the unit in a low-humidity environment.

4. TROUBLESHOOTING TIPS

-INACCURACY ISSUES

1. Check sight mounting and make sure there is no movement when pulling the sight by hands. Tighten the mounts if there is any movement observed.
2. Use a bench rest or sandbag to support the stock when making windage and elevation adjustments. This will help eliminate movement.
3. It is recommended using the same type of ammunition with same weight.
4. Check your rifle stock, as a loose stock changes the point of impact.
5. Make sure your rifle chamber and barrel are clean
6. Make sure rifling of the barrel is not damaged and no excessive grease inside the barrel
7. For any technical related questions,

please contact Athlon Optics at contact@athlonoptics.com or call toll free **1-855-913-5678**

THE ATHLON

GOLD MEDAL LIFETIME WARRANTY*

Demand the most from your equipment. When things go unexpectedly or accidents happen, rest assured, Athlon Optics carry a lifetime transferable warranty. Athlon guarantees to repair or replace your product if damaged through normal use. No charge; No receipt; No Registration required.



This warranty does not cover damages caused by deliberate damage, misuse, theft or maintenance provided by someone other than the Athlon Authorized Service Department.

SHARP, TIGHT AND PRICED JUST RIGHT!

Toll free: 1-855-913-5678

contact@athlonoptics.com

801 N MEADOWBROOK DR,
OLATHE, KS 66062

ATHLONOPTICS.COM