

Wildfire User Manual

Read all instructions and warnings in the manual before using this gel BB blaster.

⚠ WARNING: ADULT SUPERVISION REQUIRED. MISUSE OR CARELESS USE MAY CAUSE INJURY TO THE EYE. ALWAYS WEAR EYE PROTECTION. READ ALL INSTRUCTIONS BEFORE USE. ALWAYS CONFORM TO ALL LAWS. RECOMMENDED FOR AGES 14 AND UP UNDER ADULT SUPERVISION.

DO NOT BRANDISH OR DISPLAY THIS PRODUCT IN PUBLIC. POLICE AND OTHERS MAY THINK THIS IS A FIREARM. DO NOT CHANGE THE COLORATION AND MARKINGS OF THIS PRODUCT TO MAKE IT LOOK MORE LIKE A FIREARM.

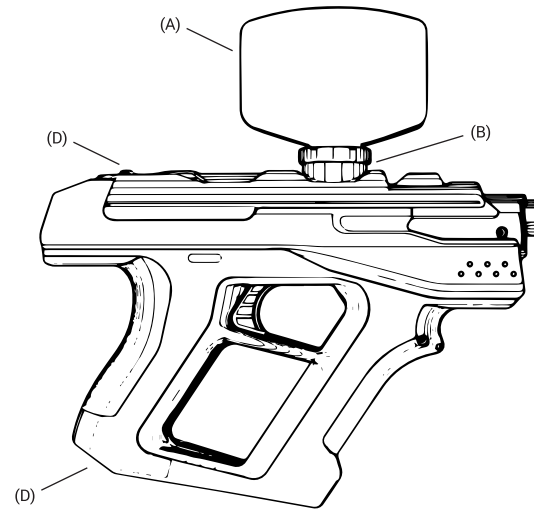
THIS PRODUCT CAN CONTAIN LEAD, A CHEMICAL KNOWN TO THE STATE OF CALIFORNIA TO CAUSE CANCER AND BIRTH DEFECTS OR OTHER REPRODUCTIVE HARM.

CHOKING HAZARD – EXPANDING AMMO. DO NOT EAT. KEEP IN A SAFE CONTAINER AWAY FROM CHILDREN.

IF THE AMMO IS NOT ALLOWED A FULL FOUR (4) HOURS TO HYDRATE, OR IS NOT PLACED IN ENOUGH WATER, THE AMMO MAY NOT REACH FULL SIZE. AMMO THAT IS TOO SMALL WILL NOT FUNCTION PROPERLY AND MAY CAUSE JAMS AND LOWER VELOCITY.

Components and Parts

- A. Hopper
- B. Hopper Port
- C. ON/OFF Switch
- D. Battery Door



Preparing Gelbee Ammo

Before loading Gelbee ammo, follow these steps:

1. Pour ammo into a container and add enough water to cover ammo completely. The minimum correct ratio is 8 ounces of water per each ½ teaspoon of ammo. Failing to add enough water will result in improperly expanded ammo that will not function properly and may cause jams and lower velocity.
2. Let ammo soak in water for four hours.
3. Drain all excess water.
4. To keep your Gelbee BBs hydrated long term, add water to your ammo container as needed.

Removing the Battery

1. Make sure the Wildfire gel BB blaster is turned OFF and pointed in a SAFE DIRECTION.
2. Unscrew battery door using a screwdriver (not included)
3. Open the battery door on the bottom of the handle.
4. Disconnect the battery from the attached connector.
5. Remove the battery.
6. Close the battery cover and replace screw.

Installing the Battery

1. Make sure the gel BB blaster is turned OFF and pointed in a SAFE DIRECTION.
2. Unscrew battery door using a screwdriver (not included).
3. Open the battery door on the bottom of the handle.
4. Pull the battery connector from the inside of the handle.
5. Connect the battery to the connector.
6. Slide battery and connector back into the handle.
7. Close the battery cover and replace screw.

Charging the Battery

1. Plug the connector on the battery into the connector on the battery charger.
2. Plug the charger into a standard 110-volt outlet.

IMPORTANT: Charge the battery a MINIMUM of 4 hours and a MAXIMUM of 6 hours prior to initial use. This gel BB blaster will not operate properly without a fully charged battery.

CAUTION: To reduce the risk of fire and/or damage to your battery, do not overcharge the battery. Unplug the battery charger when not in use. Use only the charger supplied with your Wildfire gel BB blaster. Use caution when handling and using the battery or charger to prevent risk of electric shock.

**TURN ON THE FUN,
GET ON THE RUN!**

GELBEE.COM

Operating Your Wildfire

1. Make sure you are wearing eye protection.
2. Fill the hopper completely with hydrated Gelbee BBs.
3. While holding the hopper with the opening facing upward, screw the hopper into the hopper port.
4. Switch the blaster on using the ON/OFF switch located on the back of the blaster.

Storage

- Store the Gelbee Wildfire blaster in a safe place away from children.
- Remove the battery and store properly.

Maintenance Tips

- Remove all unused ammo after done using the blaster.
- Disconnect and charge the battery as needed.
- Clean out any residue in the hopper and receiver regularly.

STOP

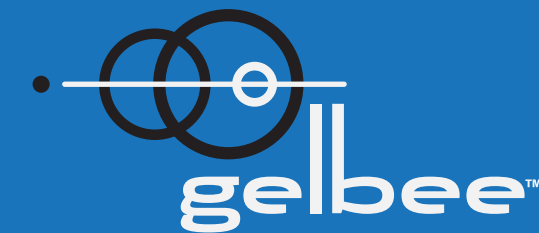
Experiencing issues or having difficulty?

DO NOT RETURN THIS PRODUCT TO THE STORE.

Our friendly customer service representatives will be glad to help you. If you have any issues or questions, please contact Gelbee directly at 800.724.7486 or support@gelbee.com for immediate assistance from one of our trained technicians.

Gelbee
7629 Routes 5 & 20
Bloomfield, NY 14469
833.675.0765

1-22 OM GFGBB9-515



WILDFIRE

User Manual

