

Operation Manual



Model M14

Semi-Automatic CO₂ Powered Dual Ammo Rifle



**DO NOT
RETURN**



this airgun to the retail store where you purchased it. If you are dissatisfied with the quality or performance of this airgun, please call Customer Service or return it to:

Daisy Outdoor Products®

308 West Stribling Drive

Rogers, AR 72756

Attn: Service Department

Please fill out the attached card and return it with a copy of your dated sales receipt (for proof of purchase use only) along with your airgun. All Daisy, PowerLine, Winchester Air Rifles and Avanti airguns have a one year warranty from the date of purchase. Sights have a 90 day warranty. Read the Operation Manual for specific warranty information. *Daisy can only offer refunds on items purchased directly from Daisy's Customer Service Department or our Website.* If you bought this item from a retail store, we will gladly *repair* or *replace* your item per our warranty policy.

Please call Daisy Customer Service at 1-800-713-2479 if you have any questions.

**READ YOUR OPERATION MANUAL AND
ALL WARNINGS BEFORE USING.**

⚠ WARNING: NOT A TOY. ADULT SUPERVISION REQUIRED. MISUSE OR CARELESS USE MAY CAUSE SERIOUS INJURY OR DEATH. MAY BE DANGEROUS UP TO 280 YDS. (256 m).

THIS IS A HIGH POWER AIR GUN RECOMMENDED FOR USE BY THOSE 16 YEARS OF AGE OR OLDER. READ ALL INSTRUCTIONS BEFORE USING. THE PURCHASER AND USER SHOULD CONFORM TO ALL LAWS GOVERNING USE AND OWNERSHIP OF AIR GUNS.

ACCORDING TO CALIFORNIA LAW

⚠ WARNING: DO NOT BRANDISH OR DISPLAY THIS AIRGUN IN PUBLIC. IT MAY CONFUSE PEOPLE AND MAY BE A CRIME. POLICE AND OTHERS MAY THINK THIS AIRGUN IS A FIREARM. DO NOT CHANGE THE COLORATION AND MARKING TO MAKE IT LOOK MORE LIKE A FIREARM. THAT IS DANGEROUS AND MAY BE A CRIME.

⚠ WARNING: EVEN IF YOU FIRED THE AIRGUN ONE OR MORE TIMES AND NO BB OR PELLET IS EXPELLED, IT DOES NOT MEAN THAT THE GUN IS EMPTY OF BBS OR PELLETS. CONTINUE TO TREAT THE AIRGUN AS IF IT IS LOADED.



AVERTISSEMENT: L'échec pour suivre ces règles peuvent avoir pour résultat la blessure ou la mort sérieuse.

10 REGLES D'OR D'UTILISATION DU FUSIL

1

Garder toujours la bouche à feu de votre fusil pointé dans une direction qui ne présente aucun danger. Vous pouvez tenir votre fusil en toute sécurité selon les circonstances. Ne pointez jamais la bouche à feu bout de votre fusil en direction des personnes

2

Face à un fusil, comportez-vous comme s'il était chargé. Dites vous toujours que vous n'avez pas été le dernier à avoir manipulé votre fusil.

Ne vous fiez jamais aux paroles de celui qui pense que le fusil est chargé ou pas. Vérifiez toujours si votre fusil est chargé. Qu'il provienne directement du magasin ou qu'il vous ait été donné par une tierce personne. Si vous tirez une ou plusieurs fois en l'air sans que les balles ne s'échappent par le bout du fusil, ne pensez pas que le manuel du fusil ne comporte pas de munitions. On peut manquer un tir en l'air pour plus d'une raison. Considérez toujours un fusil comme étant chargé et prêt à exécuter un tir. Considérez toujours un fusil comme chargé même si vous savez qu'il ne l'est pas.

3

Chargez uniquement votre fusil lorsque vous voulez effectuer des tirs. Ne laissez jamais un fusil chargé ni dans votre maison, ni dans un lieu public.

4

Vérifiez votre ligne de mire et ses alentours

Rassurez vous qu'il n'y a personne dans la surface de la ligne de mire a vant de tirer. Vérifiez derrière la ligne de mire et aux alentours pour être sur que biens et vies humaines sont hors de danger.

5

Le tireur ainsi que la personne proche du tireur doivent porter des lunettes de pointage. Les autres personnes doivent se placer derrière le tireur .

6

Ne jamais grimper ou sauter a vec un fusil ; la direction du bout du fusil en cas de chute ne peut pas être maîtrisée. Déposez le fusil en toute sécurité ou encore faites le tenir par un compagnon pendant que vous grimper ou sauter.

7

Évitez le ricochet. Ne tirez jamais sur une surface solidifiée et plate ou à la surface de l'eau. Les munitions peuvent faire un contre ricochet surtout avec de l'eau exactement comme des pierres qui gambadent.

8

Garder le bout du fusil ouvert. Ne le laisser jamais bouché. Ne laisser jamais le bout du fusil au contact du sol.

9

Les fusils hors usage doivent toujours être déchargés.

Décharger les fusils hors usage avant de les garder est capital pour votre sécurité et celle des autres. Lorsque vous avez fini de tirer, appuyer sur la gâchette. Gardez votre fusil hors de la portée des tireurs amateurs et gardez également vos munitions et votre fusil séparément.

10

Respectez les biens d'autrui.

Que vous fassiez des tirs d'élite ou des tirs de chasse, si vous êtes étranger dans une région, vous devez la laisser intacte comme à votre arrivée.

Visitez notre site web www.daisy.com

et découvrez les mesures de sécurité à prendre au cours d'une exécution de tirs. De plus, devenez lauréat du certificat 'mise en toute sécurité' en faisant le test qui vous est proposé.

La VERSION española
COMIENZA en la página 16



10 SHOOTING SAFETY RULES

WARNING: FAILURE TO FOLLOW THESE RULES CAN RESULT IN SERIOUS INJURY OR DEATH.

1

Always keep the muzzle pointed in a safe direction.
There are several safe "carries" depending on the situation.
NEVER ALLOW THE MUZZLE TO POINT IN THE DIRECTION OF A PERSON.

2

Treat every gun as if it were loaded.
You can never be positive that you were the last person to handle the gun. Never take anyone's word about whether or not a gun is loaded. Always check a gun to see if it is loaded when removed from storage or received from another person. Even if you have fired an airgun one or more times and no pellet or BB was expelled from the barrel, it does not mean that the magazine of the gun is empty of ammunition. Any airgun can fail to feed for any number of reasons. Continue to treat the airgun as loaded and ready to fire. **ALWAYS TREAT A GUN AS IF IT IS LOADED EVEN IF YOU KNOW IT ISN'T.**

3

Only load or cock a gun when you are shooting.
A loaded gun has no place in your home or other public place.

4

Check your target and beyond your target.
Be sure all persons are well clear of the target area before you shoot. Check behind and beyond your target to be certain you have a safe backstop and that no person or property could be endangered.

5

Anyone shooting or near a shooter should wear shooting glasses.
Also, all other persons should remain behind the shooter.

6

Never climb or jump with a gun.
You can't control the direction of the muzzle if you stumble or fall. You should safely lay the gun down or hand it to a companion while you climb or jump over anything.

7

Avoid ricochet.
Never shoot at a flat hard surface or at the surface of water. Ammunition can ricochet off of water just like a skipped rock.

8

Keep the muzzle clear.
Never let anything obstruct the muzzle of a gun. Don't allow the muzzle to come in contact with the ground.

9

Guns not in use should always be unloaded.
Keeping guns unloaded when not in use is critical to the safety of you and others. When you are finished shooting, put the trigger safety in the "on" position and unload the gun. Store guns so that they are inaccessible to untrained shooters and store ammunition separately from the gun.

10

Respect other people's property.
Whether you're target shooting or hunting, if you're a guest on others' land, you should leave it exactly as you found it.

Visit www.daisy.com and read the shooting safety rules. Take a quiz and get your "Take Aim at Safety" Certificate.

OPERATION MANUAL



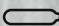


WINCHESTER
AIR RIFLES

A Product of Daisy Outdoor Products®

Model M14 Semi-Automatic CO₂ Powered Dual Ammo Rifle



Use .177 cal. (4.5 mm) LEAD AIRGUN PELLETS 
AND BB .177 cal. (4.5mm) STEEL AIRGUN SHOT 
12gm CO₂ CYLINDERS ONLY 

This manual is intended for Winchester® Airguns, distributed by Daisy Outdoor Products® and does not apply to firearms bearing the Winchester® name.

Winchester® is a registered trademark used under a license by Daisy®.

⚠ WARNING: NOT A TOY. ADULT SUPERVISION REQUIRED. MISUSE OR CARELESS USE MAY CAUSE SERIOUS INJURY OR DEATH. MAY BE DANGEROUS UP TO 280 YDS. (256 m).

THIS IS A HIGH POWER AIR GUN RECOMMENDED FOR USE BY THOSE 16 YEARS OF AGE OR OLDER. READ ALL INSTRUCTIONS BEFORE USING. THE PURCHASER AND USER SHOULD CONFORM TO ALL LAWS GOVERNING USE AND OWNERSHIP OF AIR GUNS.

ACCORDING TO CALIFORNIA LAW

⚠ WARNING: DO NOT BRANDISH OR DISPLAY THIS AIRGUN IN PUBLIC. IT MAY CONFUSE PEOPLE AND MAY BE A CRIME. POLICE AND OTHERS MAY THINK THIS AIRGUN IS A FIREARM. DO NOT CHANGE THE COLORATION AND MARKING TO MAKE IT LOOK MORE LIKE A FIREARM. THAT IS DANGEROUS AND MAY BE A CRIME.

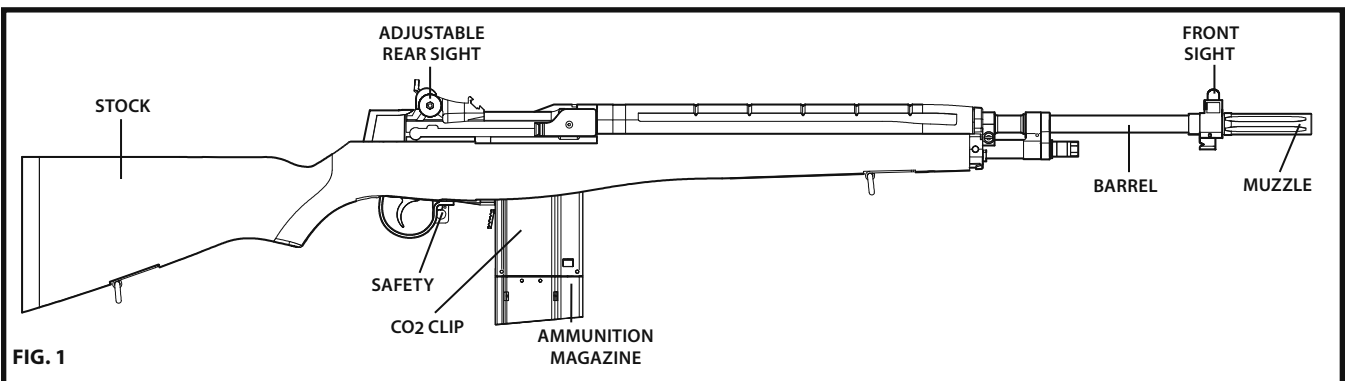
⚠ WARNING: EVEN IF YOU FIRED THE AIRGUN ONE OR MORE TIMES AND NO BB OR PELLET IS EXPELLED, IT DOES NOT MEAN THAT THE GUN IS EMPTY OF BBs OR PELLETS. CONTINUE TO TREAT THE AIRGUN AS IF IT IS LOADED.

⚠ WARNING: THIS GUN CAN CAUSE DEATH IF CARELESSLY USED OR MISUSED. READ AND FOLLOW THE INSTRUCTIONS CAREFULLY. DO NOT LOAD A BB OR PELLET INTO THE GUN UNTIL YOU ARE READY TO SHOOT. IF YOU DO LOAD A BB OR PELLET AND THEN DECIDE NOT TO SHOOT, REMOVE IT EITHER MANUALLY OR BY SHOOTING THE GUN AT A SAFE TARGET. THIS GUN IS SAFEST WHEN UNLOADED AND UNCOCKED. ACCIDENTS HAPPEN FAST, AND ACCIDENTALLY INJURING OR KILLING SOMEONE IS A TERRIBLE THING. PLEASE SHOOT SAFELY.

⚠ This safety alert symbol indicates important safety messages in this manual. When you see this symbol, be alert to the possibility of personal injury and carefully read the message that follows. The "Introduction to Winchester® Air Rifle Shooting" section of this book which starts on page 12, tells about the rules of shooting safety. READ THIS SECTION. Follow the safety rules and make certain anyone using your gun has been instructed in proper gun handling and safety. More power means greater chance of serious injury or death. Be sure to read the rules for "Proper Gun Handling" on pages 12 - 13.

Winchester Air Rifles shoot with much more muzzle energy than most BB and pellet guns. Use extreme caution when operating this gun. Although your new Winchester Air Rifle is not a firearm, it has lethal potential and should be treated with the caution and respect due any conventional firearm. Like a firearm, your Winchester Air Rifle, when misused or carelessly used, can kill or seriously injure the shooter or other persons. Always remember, the first and most important safety feature of any gun is the shooter. All safeties are mechanical devices and the shooter is the only part of the system that can make a gun safe—or unsafe. DON'T DEPEND ON MECHANICAL SAFETIES—think ahead and avoid situations that might lead to accidents.

Guns differ in their operation, and you are never ready to fire any gun until you are thoroughly familiar with it. Read the following operating instructions and WITHOUT LOADING ANY BBs OR PELLETS, proceed through the operating steps, dry firing your gun several times at a safe target. This will enable you to learn to operate the Winchester Air Rifle properly and safely.



PRIOR TO OPERATION

WARNING: Be sure the gun is always pointed in a safe direction. Never point the gun at anyone. Always assume and handle the gun as if it were loaded and ready to fire.

Gun may continue to be fired until the ammunition magazine is empty or the CO2 cylinders need to be replaced. Once the ammunition magazine is empty, Steps 1, 3, 4, 5, 6 and 7 should be followed. If the CO2 cylinders are empty, then all 7 steps should be followed. (Up to 160 shots can be expected with fresh, properly installed CO2 cylinders.)

OPERATION STEPS

- Step 1. Put "ON" safety – NO RED SHOWING. (FIG 2A)
- Step 2. Insert CO2 cylinders.
- Step 3. Insert loaded magazine.
- Step 4. Cock.
- Step 5. Aim at a safe target.
- Step 6. Take "OFF" safety – RED SHOWING. (FIG 2B)
- Step 7. Fire.
- Step 8. Put "ON" safety – NO RED SHOWING. (FIG 2A)

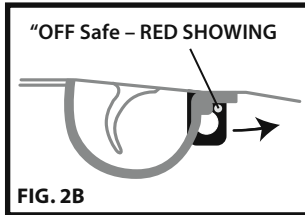
NEVER STORE A LOADED GUN

At the end of a shooting session, as a safety precaution, always unload ammunition and CO2 from the rifle. (See instructions on page 10) and store the gun uncocked. Store in a safe place to prevent unauthorized use and store ammunition and CO2 in a separate location.

STEP 1. PUT SAFETY "ON" SAFE POSITION – NO RED SHOWING.

Locate the safety mechanism, directly in front of the trigger guard. Pull back on the safety lever so that the safety is in the "ON" safe position-NO RED SHOWING. (FIG. 2A)

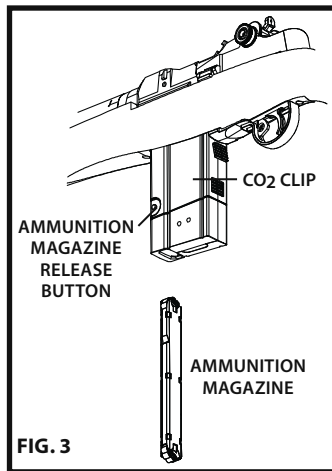
CAUTION: Even when the safety is in the "ON" safe position, you should continue to handle the gun safely. Don't point the gun at anything that you don't intend to shoot. NOTE: The safety is manual and not automatic. It will only do its job when you do yours. **REMEMBER, THE BEST SAFETY IS GOOD GUN HANDLING.**



STEP 2. INSERT CO2 CYLINDERS

A. Put "ON" safety – NO RED SHOWING. (FIG 2A)

B. Remove the ammunition magazine from the CO2 clip by pushing on the ammunition magazine release button on the lower, front, left side of the CO2 clip. Set the ammunition magazine aside. (FIG 3)



C. Remove the CO2 clip by pushing the first clip release button while pulling down on the clip. Push the second clip release to completely remove the clip from the gun. (FIG. 4A)

D. Remove the cover from the base of the CO2 clip by inserting a finger into the ammunition magazine hole and pulling the cover off. (FIG 4B)

E. Inside the CO2 clip cover there is a small hex-head hand tool used to tighten the CO2 cylinders. Remove the tool and retain. (FIG 4B)

F. Insert two 12 gram CO2 cylinders, small ends first, fully into the cavities of the CO2 clip. Position the small end of the CO2 cylinder so that the CO2 cylinders touch the puncture pins. (FIG. 4C-1)

G. Using the small hex-head hand tool provided, tighten the hex-head screws below each CO2 cylinder clockwise to puncture the CO2 cylinders. (FIG. 4C-2) Continue tightening the screws RAPIDLY until finger tight. NOTE: A slight seepage of CO2 gas may occur until the puncture screws are tight.

H. Replace the CO2 base cover and re-insert the CO2 clip back into the gun. (FIG. 4D)

WARNING:

Be sure the muzzle is pointed in a safe direction when installing the CO2 cylinders. In the event that a seal temporarily leaks while the CO2 cylinders are being punctured, the CO2 gas may escape through the barrel. If ammunition is jammed in the barrel from prior shooting, this could result in a projectile being shot.

WARNING: Use only 12 gram CO2 cylinders. Any attempt to use other types of gas cylinders could be extremely dangerous and could result in serious injury. Gasses other than CO2 could result in an explosion or rupture of the gun.

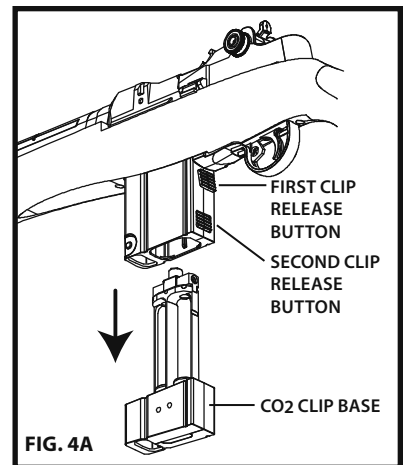


FIG. 4A

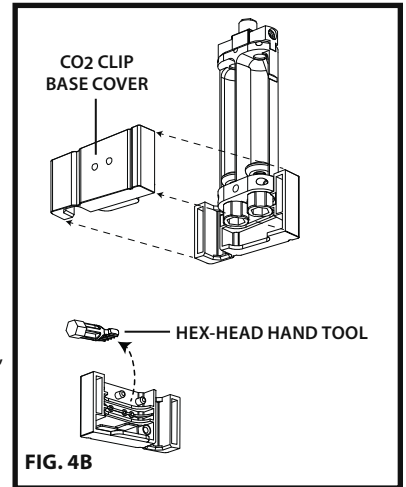


FIG. 4B

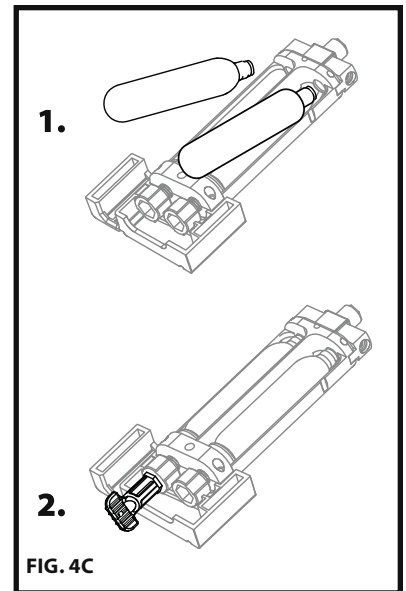


FIG. 4C

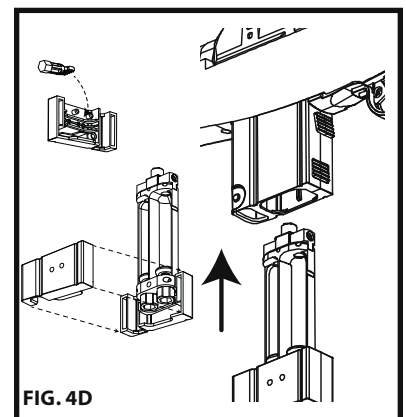


FIG. 4D

STEP 3. INSERT A LOADED AMMUNITION MAGAZINE INTO THE CO2 CLIP

Always point the gun in a safe direction. Be sure that the gun is "ON" safe – NO RED SHOWING (See Operation Step 1)(FIG. 2A) Insert a loaded ammunition magazine into the CO2 clip.

WARNING: Once the magazine is loaded with ammunition and inserted into the clip and into the gun, the gun is considered to be loaded, so use extreme caution in handling the gun. Keep the gun pointed in a safe direction. Never point the gun at anyone. Always treat the gun as if it were loaded and ready to fire.

LOADING THE AMMUNITION MAGAZINE

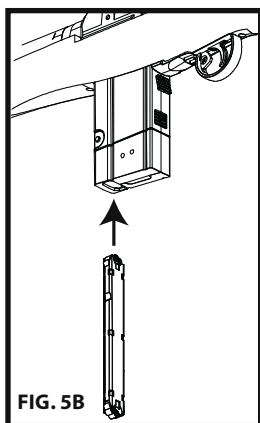
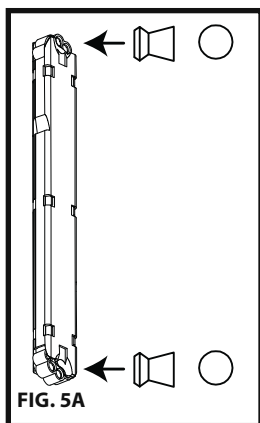
a. Holding the ammunition magazine with the smooth side (showing illustrations of pellets and BBs) toward you, insert any .177 caliber (4.5mm) pellet or BB into each of the visible ammo clip openings at each end of the magazine. (FIG. 5A)

b. By rotating each of the two ammo cylinders, you can load up to a total of 16 pieces of ammunition (any combination of BBs and .177 caliber pellets).

WARNING: The following three points must be strictly followed. Failure to do so could result in the rifle failing to discharge a projectile although it may remain in the barrel. This could be a dangerous condition. Also, jamming or damage to the rifle could occur.

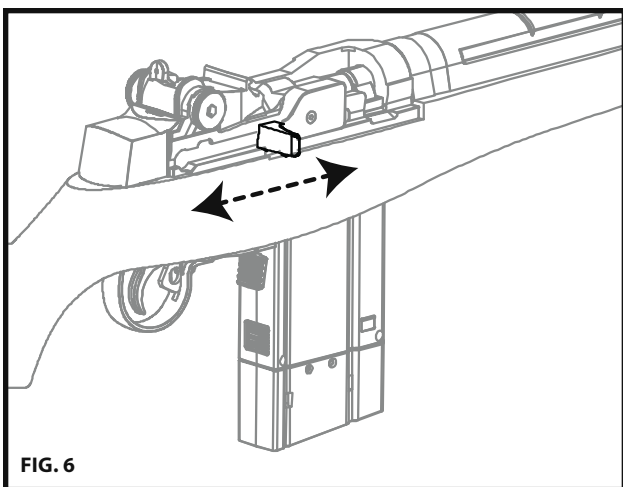
1. DO NOT use distorted or deformed pellets. Carefully check the skirt of each pellet before loading. Use only Daisy brand .177 cal. (4.5mm) pellets or BBs.
2. DO NOT load the pellets in backwards. (i.e. DO NOT load pellets skirt forward.
3. DO NOT use buckshot, ball bearings or any other foreign objects.

c. Insert the loaded ammunition magazine back into the CO2 clip. (FIG. 5B)



STEP 4. COCK

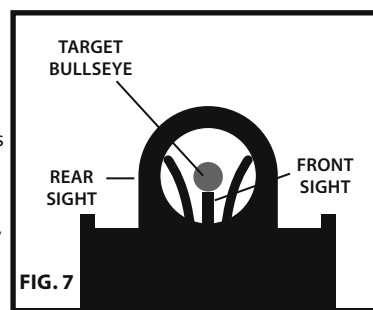
To cock the gun, while holding the gun firmly and pointing it in a safe direction, grip the bolt handle, pull back, and release. (FIG 6) The gun is now cocked and loaded, so use extreme caution in handling the gun. Each time the trigger is pulled, another projectile will be loaded. Even if the gun fails to fire, always assume that the gun is loaded and keep the gun pointed in a safe direction.



STEP 5. AIM AT A SAFE TARGET

To be a consistent marksman, use the correct sight picture each time you fire this gun. (FIG. 7)

CAUTION: Due to the power of this CO2 Winchester Air Rifle, use extra precaution in selecting a safe target backstop. Improper targets may cause ricochet. This gun should not be used with target backstops designed for low velocity airguns. Select a target backstop which will not cause a ricochet. Use only target backstops which are designed for use with high-powered airguns. Do not shoot BBs at a pellet trap and do not shoot at the surface of water as ricochet may occur. (See page 13 regarding selecting a proper target backstop).



STEP 6. TAKE "OFF" SAFETY

When you are certain that the target, backstop and surrounding area is safe, position the safety in the "OFF" safe position – RED SHOWING by pushing the safety lever forward. (FIG. 2B) Pulling the trigger now will fire the gun.

STEP 7. FIRE

Make sure the gun is pointed at a safe target and slowly squeeze the trigger. Because the M14 has a semi-automatic action, after firing the first shot, the gun is automatically cocked and ready to fire the next shot. KEEP THE GUN POINTED IN A SAFE DIRECTION. When you have fired a total of 8 shots, eject the ammunition magazine, flip it around and insert the opposite end back into the CO2 clip to shoot the remaining 8 shots.

STEP 8. PUT "ON" SAFETY – NO RED SHOWING

After firing, return the safety to the "ON" safe position – NO RED SHOWING. (FIG. 2A)

AMMUNITION DOES NOT FIRE

WARNING: If a BB or pellet does not fire after completing the operations steps, do not assume that the gun is unloaded. Keep the gun pointed in a safe direction and repeat all operations steps except Steps 2 and 3.

MAKE THE FOLLOWING CHECKS IF AMMUNITION DOES NOT FIRE

- A. Did the ammunition clip contain .177 cal. (4.5mm) Daisy® Precision Max™ or similar quality ammunition and was it installed in the gun correctly? If not, fill the magazine with BBs or .177 cal. (4.5mm) pellets, reinsert it into the CO2 clip and into the gun then repeat the operation steps.
- B. Was the safety in the "OFF" safety position – RED SHOWING – when the trigger was pulled? If not, repeat the operation steps.
- C. Were two fresh CO2 cylinders installed properly and were the hex-head screws tightened sufficiently to have punctured the CO2 cylinders' seals? If not, put the safety in the "ON" safe position – NO RED SHOWING. Insert fresh CO2 cylinders and repeat the operations steps. Refer to the section on CO2 characteristics. (Page 10)
- D. If the gun still does not fire, refer to the warning below.

WARNING: If the gun still fails to shoot a BB or pellet after checking the items above, there is a malfunction in the rifle. This could represent a dangerous condition. There could be a BB or pellet in the gun even though a BB or pellet did not shoot out. Always treat the gun as if it were loaded. At no time should you look down the barrel of the gun.

1. Put the safety in the "ON" safe position – NO RED SHOWING.
2. Remove CO2 clip and ammunition magazine.
3. With the gun pointed in a safe direction and parallel to the ground (as if in a shooting position), run a cleaning rod (of sufficient length to reach the breech of the gun) from the muzzle of the barrel toward the action.
4. Lodged ammunition should fall out through the ammunition magazine port.
5. Repeat operation steps.
6. If, after following the operation steps the gun does not fire a projectile, your gun should be returned to the factory. (See REPAIR OF WINCHESTER AIR RIFLES - Page 11)

HOW TO UNLOAD

After shooting is complete, the gun should be unloaded before storing it. To unload the gun, always put it "ON" safe – NO RED SHOWING. Remove the CO2 and remove any ammunition from the gun.

REMOVE ALL AMMUNITION AND CO2

- Remove the ammunition magazine from the CO2 clip.
- Rotate the two ammunition magazines and remove each pellet and BB.
- Depress the first CO2 clip release button (FIG. 4A) to partially lower the CO2 clip.
- Remove the cover from the base of the CO2 cylinders.
- Slowly loosen the hex-head screws beneath each CO2 cylinder to expel any remaining CO2.
- Fully remove the CO2 clip by depressing the second clip release button (FIG. 4A).
- Remove and properly dispose of the two CO2 cylinders.

CAUTION: Never attempt to reuse a CO2 cylinder for any purpose.

CAUTION: Do not assume that the gun is empty of ammunition when the magazine has been removed from the gun. Even though you have gone through an unloading procedure, continue to treat the gun as though it were loaded. Don't point the gun at anything you don't intend to shoot. Always put "ON" safe – NO RED SHOWING. Always treat the gun as if it were loaded and ready to fire.

CO2 CHARACTERISTICS

There are occasions when a CO2 rifle may be subjected to abnormal conditions that can produce effects on the guns performance. These conditions include operation and/or storage of the gun at temperatures that are considerably higher or lower than normal outdoor temperatures 60° to 70°F (15.5° to 21°C), as well as conditions of rapid fire.

- High temperatures can produce pressure in the CO2 cylinder that is considerably higher than normal operating pressure. Such increased pressure may prevent the gun from firing and may result in permanent damage to the gun. The maximum operating or storage temperature should not exceed 105° F (40°C). This temperature can easily be reached if the gun is left directly in the sun on a bright, sunny day. Therefore, the shooter should not expose the gun to high temperature conditions or direct sunlight for any extended period of time.
- Rapid firing of the gun will cause temperature reduction in the gun and CO2 gas. This will result in lower ammunition velocities and may even lower gas pressure enough so that the gun will not fire. This condition can be especially apparent when shooting in cold weather. This condition can be avoided by allowing more time between shots. This permits the gas to increase in temperature and pressure and produce normal velocities.
- During rapid fire, the muzzle velocity of each shot can be expected to decrease. This can be detrimental to shooting accuracy. Also, the faster the gun is shot, the fewer shots you will get per CO2 cylinder.
- Exercise care to insure that the gun is not shot with a CO2 cylinder that is low in pressure.

STORAGE

Store your rifle unloaded. Put "ON" safety – NO RED SHOWING. Remove CO2 cylinders and remove all ammunition from the ammunition magazine. Keep the gun away from children and untrained shooters. Store ammunition and CO2 cylinders separately from the gun to keep them from untrained shooters.

WARNING: A CO2 cylinder contains gas under pressure, whether or not it has been inserted into a gun. If exposed to high temperatures (such as inside of a closed car in direct sunlight), it could explode. Be sure to store all cylinders in a cool place.

PROPER CARE

With care and periodic cleaning, your Winchester Air Rifle will provide many years of shooting enjoyment. As in the case with conventional firearms, abuse, neglect, and continued exposure to the elements will impair the performance of any airgun. Learn to take care of your Winchester Air Rifle and it will serve you well.

CAUTION: Never attempt to clean any Winchester Air Rifle until the gun is "ON" safe – NO RED SHOWING and the CO2 cylinders and ammunition magazine have been removed.

EXTERIOR PARTS

All of the plastic parts may be cleaned with a damp rag and mild soap or detergent. Avoid using strong detergent, abrasive cleaning

compounds or solvents that may scratch or otherwise damage surfaces.

LUBRICATION

Your Winchester Air Rifle was lubricated when built and should not require any additional lubrication.

MODIFICATION

CAUTION: The components of this gun were engineered and manufactured to deliver optimum performance. Any modification or tampering with a gun may cause a malfunction and may make it unsafe to use. Any change in performance (such as a lowered trigger pull force and shortened trigger travel), indicates possible modification, tampering and/or wear. Such gun should be inspected, replaced or properly repaired by qualified personnel. Any gun that has been dropped should be checked by qualified personnel to ensure that its function has not been affected.

WARNING: A GUN THAT IS NOT OPERATING PROPERLY MAY BE DANGEROUS. IT SHOULD BE KEPT SAFELY FROM USE BY ANYONE UNTIL REPAIRED OR DESTROYED. DO NOT TRY TO TAKE THE GUN APART. IT IS DIFFICULT TO REASSEMBLE, AND IMPROPER REASSEMBLY CAN CAUSE A HAZARDOUS CONDITION.

REPAIR OF WINCHESTER® AIR RIFLES

GUNS IN WARRANTY

LIMITED ONE-YEAR WARRANTY

For one year from date of purchase, Daisy will repair or replace and return this gun, free of charge, if defective in material or workmanship. Service is available by returning the gun to Daisy Outdoor Products (refer to important note below). Attach to the gun, your name, street address, and telephone number, description of problem and proof of date of retail purchase (sales slip). Package and send transportation prepaid to Daisy. This warranty give you specific legal rights, and you may also have other rights which may vary from state to state.

IMPORTANT: You can return your inoperative rifle to Daisy for repair via United Parcel Service (UPS). Be sure to unload ammunition and CO2 before returning the gun to Daisy. You must include your street address for Daisy to send your rifle directly back to you through UPS delivery.

GUNS OUT OF WARRANTY

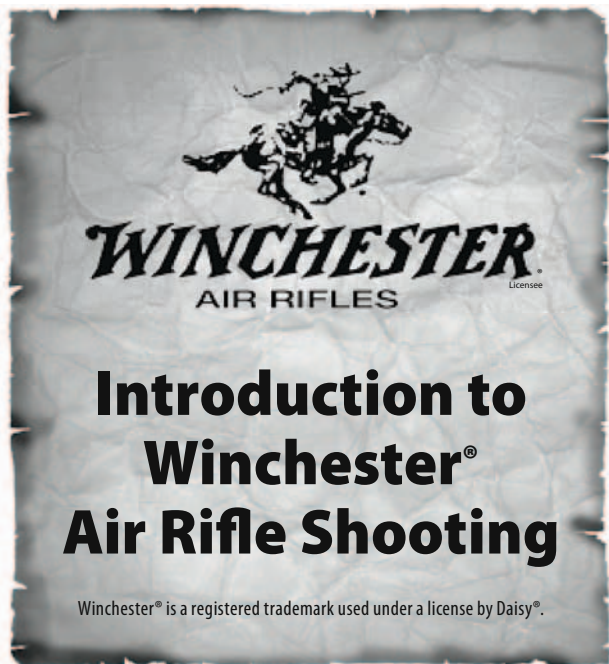
If your Winchester Air Rifle needs repair, please call 1-800-713-2479 for repair charges. Daisy will repair the gun or replace it with a reconditioned gun of the same model, if available; otherwise, with a model of equivalent value.

Daisy Outdoor Products
Service Department
308 Stribling Drive
Rogers, AR 72756 U.S.A.

Model M14 – SPECIFICATIONS

ACTION:	Semi-automatic; CO2 powered
CALIBER:	.177 cal. (4.5 mm) pellet / .177 cal. (4.5mm) BB
SIGHTS:	Adjustable rear peep sight; fixed front sight
STOCK/FOREARM:	Composite
CAPACITY:	16-shot magazine (Two 8-shot rotary clips)
SAFETY:	Trigger block safety
BARREL:	Rifled steel
MAXIMUM VELOCITY	700 fps
MAXIMUM SHOOTING DISTANCE*:	280 yds. (256 meters)
OVERALL LENGTH:	44.25 in.
WEIGHT:	4.4 lbs.

*With the muzzle pointed upward at the optimum angle.



Winchester® is a registered trademark used under a license by Daisy®.

A MESSAGE TO PARENTS

Included in the material accompanying each new Winchester® Air Rifle is a checklist covering the most important aspects of proper gun handling. We urge you to use the checklist in assuring that anyone operating a Winchester Air Rifle has a thorough understanding of these rules and is diligent in their practice. Although not a firearm, a Winchester Air Rifle is a gun and not a toy. Like a firearm, when misused or carelessly used, your Winchester Air Rifle can kill or seriously injure the shooter or other persons. Properly used and maintained, it will provide many hours of safe, trouble free recreational shooting. Misused, it can be dangerous. Therefore, it should only be used by someone sixteen years of age or older.

Safe gun handling depends upon proper safety training, and the right attitude toward gun ownership. To help you, we have designed this booklet to cover the basic facts everyone should understand before shooting a gun. Take time to study it thoroughly. A proper understanding of these basics will greatly increase your enjoyment of the lifetime sport of recreational air rifle shooting and, at the same time, give you the satisfaction of knowing you are properly prepared to handle an air rifle.

If you, or your son or daughter (age 16 or older), becomes the owner of a Winchester Air Rifle, we strongly urge you to enroll yourself and them in a formal course of instruction in shooting education. Daisy Outdoor Products' air rifles are age graded to help you select the right product for your son or daughter. Winchester Air Rifles are for adult shooters and those 16 years of age or older with adult supervision. There are a number of youth and civic organizations which offer a complete 10-lesson course based on guidelines developed by the training experts at Daisy, and they are listed in the section on **CLUBS AND COMPETITION** near the back of this book. A quick check with them will let you know when the next course will be starting in your area. If you would like more detailed information, write: Special Market Programs, Daisy, Box 220, Rogers, Arkansas 72757.

WHAT IS A WINCHESTER® AIR RIFLE?

The design and craftsmanship of Winchester Air Rifles and Pistols offer a high level of shooting performance. With significantly more power than a youth BB gun, their sophistication in performance and operation have brought them to the attention of even the most serious sport shooter.

In recent years, sport shooters have begun to feel the squeeze of limited space and money for firearm shooting. The Winchester Air Rifles remove these limits for both the enthusiast who wants low cost shooting for year-round training, indoors or out, and dedicated shooters interested in shoulder-to-shoulder competition. With a Winchester Air Rifle, looks, heft and performance add up to adult size shooting right at your doorstep, and at a fraction of the cost of firearm shooting.

PROPER GUN HANDLING

You may be familiar with the responsibilities of proper gun handling, but the fact that your new Winchester Air Rifle has up to ten times the power of the traditional air rifle means extra care is needed. In reviewing the basic rules of proper gun handling, keep in mind that "handling" means every time you touch your gun.

- Always keep the muzzle pointed in a safe direction.
- Treat every gun as if it were loaded.
- Only load or cock a gun when you are shooting.
- Anyone shooting or observing a shooter should wear shooting glasses and should be standing behind the shooter.
- Never climb or jump with a gun loaded.
- Avoid ricochet.
- Keep the muzzle clear.
- Guns not in use should always be unloaded.
- Respect other people's property.
- Check your target and beyond your target.

Ninety percent of the air rifle related accidents occurring in this country are caused by: (1) careless handling of the gun, (2) believing the gun to be empty when it is not, or (3) shooting at improper targets. All three causes can be eliminated if the shooter handles the gun properly.

YOUR WINCHESTER® AIR RIFLE IS A TARGET GUN

Your Winchester Air Rifle has been designed for target shooting and is suited for use both indoors and out to help you develop your marksmanship skills. However, your Winchester Air Rifle means greatly increased velocity and energy, so take care to prepare your target. Target traps designed for use with low-velocity (less than 350 feet per second) BB and pellet guns should not be used with a Winchester Air Rifle. Always use a target trap designed to prevent ricochet, and put extra reinforcement behind your target to compensate for the added power. (See **HOW TO MAKE AN INDOOR-OUTDOOR TARGET**, page 14.)

TIPS ON MARKSMANSHIP

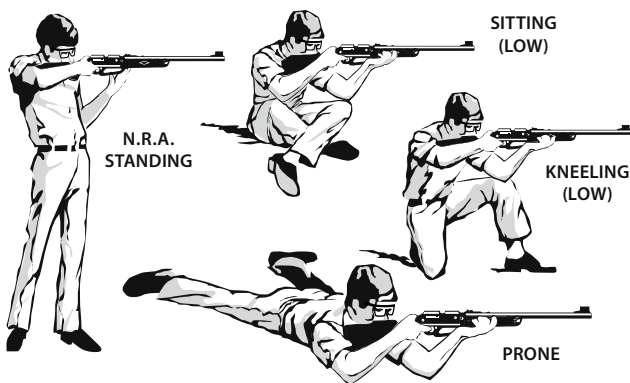
Many people become proficient at gun handling without learning the basics of proper marksmanship. Yet, these basics are intended for one purpose—to increase your skills. If you haven't learned them, now is the time to start. If you have, this may serve as a timely review.

TRIGGER AND BREATH CONTROL

When you get right down to it, trigger control is simply knowing your gun. Get your sights in line. The moment you have the proper sight picture, squeeze the trigger. Never jerk the trigger or you will ruin your aim. To do this, you must know your gun well enough to exert enough pressure on the trigger to where it's just short of firing the gun. Then at the exact instant you wish, the trigger can be squeezed with as little disturbance to the sight picture as possible. Trigger control comes only with practice. Keep trying, you'll get it down to an art.

Breathing at the wrong moment can cause your body to move and your aim to go astray. So breathe properly. Prior to raising the gun to the shooting position, inhale deeply, then exhale partially with arm in shooting position. Hold the remaining breath until shot is fired.

If after about 7 or 8 seconds you haven't got the shot off, cock your arm back 90 degrees (muzzle up), relax and breathe normally for a few seconds. Then take your "aiming breath" and try again.



STANDING

- From a position directly facing the target, face to the right of the line of fire. The knees should be straight but not locked.
- Grasp the forearm of the gun in the left hand and place the butt of your gun in the shoulder pocket with the muzzle pointed upward.
- With the right hand, grasp the stock at the pistol grip, then press your cheek gently against the stock as far forward as possible without straining.
- Thrust the left hip forward, lower the gun to shoulder height, and with the left elbow directly under the gun, let the left upper arm rest against your body.
- The forearm of the gun should be supported in the palm of the left hand. (Thumb and fingertips, if using the NRA standing position.)

• Shift your weight to the left foot and lean your upper body away from the target. To assume the other positions: (It should be noted that left hand shooters reverse these directions when assuming positions.)

PRONE

• Half face to the right, then lie at an angle of about 45 degrees to the line of fire. The left leg should be completely relaxed. The right leg should angle away from the spine, and may be bent or straight. The feet should be as flat on the ground as possible.

SITTING

• Half face to the right, then in the low position, cross your legs in front of you with the outside of each foot resting on the ground and supporting the knees. Elbows should be placed near the knees, forming triangles to support the rifle.

In the high position, legs are not crossed; the feet are well spread, with the heels braced, and the body leaning forward so the elbows may be braced by the knees.

KNEELING

• Half face to the right and drop to the right knee. In the low position, the left foot should be extended as far forward as is comfortable, while the right leg is flat on the ground with the shooter sitting on the side of his foot. In the high position, the shooter sits on his right heel.

AIMING



WILL MAKE GUN SHOOT TOO HIGH



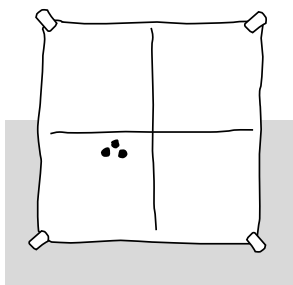
WILL MAKE GUN SHOOT TOO LOW



CORRECT SIGHT PICTURE

SIGHTING-IN YOUR GUN

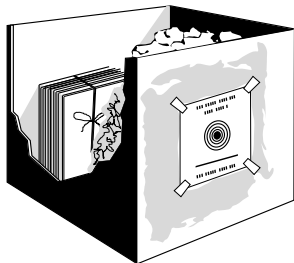
The first step in proper sight alignment is to determine the shot grouping of your new Winchester Air Rifle. To do this, position a rest, such as a table or bench, 33 feet from your target. Place your rifle on the rest and aiming at the same point on the target each time, fire three shots. Do not attempt to make any adjustments during the three shots. At this point, you are only interested in how well your shots group. Once you have determined the grouping ability of you and your airgun, you can then adjust your sights to bring the group on target. NOTE: It may be necessary for each person shooting your Winchester Air Rifle to realign the sights to fit his sight pattern. NOTE: Some guns have fixed sights and cannot be adjusted. There are no open sights on the Model 1029S.



HOW TO MAKE AN INDOOR-OUTDOOR TARGET

Because of the velocity and energy of your Winchester Air Rifle, care must be exercised in assuring that you have an adequate backstop for your target. A cardboard box 16 inches or more deep, and with at least two-foot square front surface, will serve as the basis for the target.

Center 3 inches of tightly bound magazines (do not substitute newspapers) on the inside back wall of the box opposite the target, and fill the box with tightly packed, crumpled newspaper to prevent ricochet. Once the backstop is complete, tape the target to the front of the box. Do not use metal fasteners—BBs and pellets can ricochet. As the target is used, the backing must be watched closely and should be replaced when the BBs or pellets have penetrated half the thickness of the magazines.



CAUTION: Whether you purchase a target trap or make your own, it is important to remember that **they will wear out** with continued use. Because of this, you should always place your backstop where it will be safe should it fail, and check it carefully before and after each use. A severe rebound or ricochet is an indication that the backstop is faulty and that you should stop using it immediately.

INDOOR SHOOTING

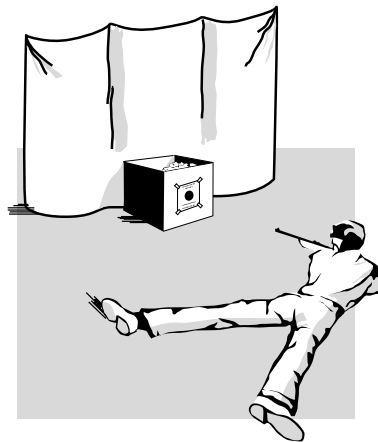
Inside as well as out, the rules of proper gun handling remain the same. If these rules are observed, your Winchester Air Rifle is safe for indoor shooting. Just remember to take the gun's power into account and carefully follow the instructions for constructing the target backstop.

The high performance Winchester Air Rifles, CO₂-powered guns, spring-piston guns and the single pump pneumatic air rifles deliver consistent maximum power; so make certain that the target backstop has been properly built.

For safety reasons, you must have the target placed so that there are not entry ways in front of or to the side of the firing line or behind the targets.

If this is not possible, then doorways in the area should be blocked. A canvas or heavy blanket that is free from the wall and clears the floor should be hung behind the target backstop. This will prevent ricochet should you miss the backstop. Finally, your target should be well lighted.

Remember to keep your Winchester Air Rifle unloaded until the target is up and you are ready to shoot. Never point it in any direction except down range.



OUTDOOR SHOOTING

While your Winchester Air Rifle is excellent for outdoor shooting, its exceptional power means extra care is needed. The target backstop described on the preceding page will work equally well for outdoor shooting where space is limited. Be sure the target area is clear and safe before shooting.

USE THE RIGHT AMMUNITION

Winchester Air Rifles are designed to use various types of pellets or BBs. Make certain you check the instructions stamped on your Winchester Air Rifle to assure that you use only the correct ammunition. If improper ammunition is used, your gun will not feed correctly and may jam, possibly resulting in serious injury. Because dirty and misshapen ammunition can jam your gun, DO NOT reuse BBs or pellets.

LEARN TO SHOOT SAFELY

Daisy Outdoor Products has a rich heritage of teaching young and first time shooters to shoot safely. In order to effectively implement shooting education programs nationwide, Daisy has partnered with the following organizations, which teach shooting safety and provide additional shooting safety materials and information. We encourage you to contact Daisy at 1-800-713-2479 or one of these organizations to sign up for a shooting safety class in your area.

PROGRAM MATERIALS & EQUIPMENT

Daisy Outdoor Products
800-713-2479
www.daisy.com

PROGRAM INFORMATION

American Legion Junior Shooting Sports Program
317-630-1249
www.legion.org

NRA Youth Programs
800-672-3888 ext. 1505
www.nrahq.org/youth

4-H Shooting Sports
Contact your County Extension Agent
www.4-h.org

Junior Olympic Shooting Program
719-866-4670
www.usashooting.com





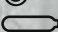
WINCHESTER
AIR RIFLES

A Product of Daisy Outdoor Products®

Modelo M14

Rifle Semi-Automático de Munición Doble Impulsado por CO2



Utilice **BALINES DE PLOMO** PARA ARMA DE AIRE de calibre .177 (4.5 mm) 
O **PERDIGONES DE ACERO** PARA ARMA DE AIRE de calibre .177 (4.5mm) 
ÚNICAMENTE **CILINDROS de CO2 de 12 mg** 

Este manual es para Pistolas de Aire Winchester®, distribuidas por Daisy Outdoor Products® y no aplica a armas de fuego con el nombre de Winchester®. Winchester® es una marca registrada usada bajo la licencia de Daisy®.

PRECAUCIÓN: NO ES UN JUGUETE. SE REQUIERE SUPERVISIÓN DE UN ADULTO. USO INDEBIDO O SIN

CUIDADO PUEDE CAUSAR LESIONES SERIAS O LA MUERTE. PUEDE SER PELIGROSA HASTA UNA DISTANCIA DE 280 YARDAS (256 METROS).

ESTA ES UN ARMA DE AIRE DE ALTO PODER RECOMENDADA PARA USO POR PERSONAS DE 16 AÑOS DE EDAD Y MAYORES. LEA TODAS LAS INSTRUCCIONES ANTES DE UTILIZAR. EL COMPRADOR Y EL USUARIO NECESITAN SEGUIR TODAS LAS LEYES GOBERNANDO EL USO Y PROPIEDAD DE ARMAS DE AIRE.

DE ACUERDO A LA LEY DE CALIFORNIA

PRECAUCIÓN: NO BLANDEE O MUESTRE SU ARMA DE FUEGO EN PÚBLICO. PUEDE CONFUNDIR A LA GENTE

Y PUEDE SER UN DELITO. LA POLICÍA U OTROS PUEDEN PENSAR QUE ESTA ARMA DE AIRE ES UN ARMA DE FUEGO. NO CAMBIE LA COLORACIÓN O LAS MARCAS PARA HACERLA PARECER MÁS COMO UN ARMA DE FUEGO. ESO ES PELIGROSO Y PUEDE SER UN CRIMEN.

PRECAUCIÓN: AUN SI USTED HA DISPARADO SU ARMA UNA O MÁS VECES Y YA NO SALEN BALINES O

BOLITAS, ESO NO QUIERE DECIR QUE EL ARMA ESTÉ VACÍA DE PERDIGONES O BALINES. CONTÍNUÉ TRATANDO EL ARMA COMO SI ESTUVIERA CARGADA.

PRECAUCIÓN: ESTA ARMA PUEDE CAUSAR LA MUERTE SI EL ARMA ES UTILIZADA SIN CUIDADO O

UTILIZADA INCORRECTAMENTE. LEA Y SIGA TODAS LAS INSTRUCCIONES CUIDADOSAMENTE. NO CARGUE PERDIGONES O BALINES EN EL ARMA SI NO ESTÁ LISTO PARA DISPARAR. SI CARGA PERDIGONES O BALINES Y LUEGO DECIDE NO DISPARAR, quite los balines o bolitas manualmente o disparando a un blanco seguro. Esta arma está más segura cuando esta descargada y no amartillada. Los accidentes ocurren rápidamente y el lesionar o matar a alguien accidentalmente es algo terrible. Por favor dispare con seguridad.

! Este símbolo de alerta indica un mensaje importante de seguridad en este manual. Cuando vea este símbolo, esté alerta a la posibilidad de lesiones personales y cuidadosamente lea el mensaje que le sigue. La sección "Introducción a Disparar el Rifle de Aire Winchester®" en este libro, la cual comienza en la página 24, le dice las reglas para disparar con seguridad. LEA ESTA SECCIÓN. Siga las reglas de seguridad y asegúrese de que cualquier persona utilizando su arma ha aprendido el manejo seguro y la seguridad del arma. Más potencia quiere decir más oportunidad de lesiones serias o la muerte. Asegúrese de leer las reglas para "El Manejo Apropiado del Arma" en las páginas 24-25.

Las armas de aire Winchester dispara con mucha más potencia de boca que un arma de balines o bolitas de aire tradicional. Use precaución extrema cuando use esa arma. Aunque su nuevo rifle de aire Winchester no sea un arma de fuego, tiene potencial letal y necesita ser tratada con la precaución y respeto que se le da a cualquier arma de fuego convencional. Como un arma de fuego, su Rifle de Aire Winchester, cuando es utilizado incorrectamente o sin cuidado, puede matar o lesionar seriamente al que está disparando o a otras personas. Siempre recuerde que la característica de seguridad primera y principal es el tirador. Todas las seguridades son dispositivos mecánicos y el tirador es la única parte del sistema que puede hacer el arma segura – o no segura. NO DEPENDA EN LOS SEGUROS MECÁNICOS – piense por adelantado y evite situaciones que puedan llevar a accidentes.

Las armas difieren en su operación y usted nunca está listo para disparar cualquier arma hasta que esté completamente familiarizado con él. Lea el manual de instrucciones de operación y SIN CARGAR UN PERDIGÓN O UN BALIN, proceda por los pasos de operación, disparando su arma en seco con el CO2 varias veces a un blanco seguro. Esto le permitirá aprender como operar su Rifle de Aire Winchester apropiada y seguramente.

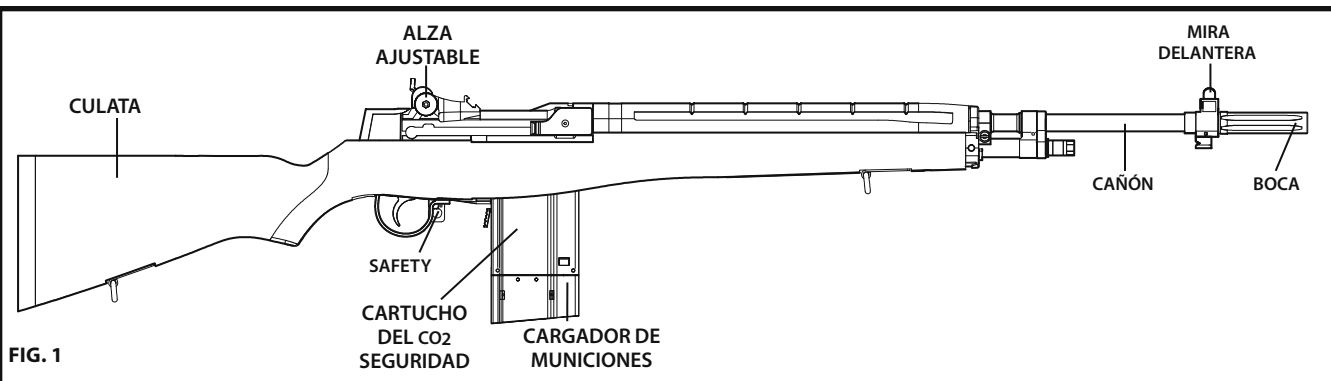


FIG. 1

ANTES DE OPERAR

AVISO: Asegúrese de que el arma siempre este apuntada en una dirección segura. Nunca apunte el arma hacia nadie. Siempre sponga y maneje el arma como si estuviera cargada y lista para disparar.

El arma puede ser disparada hasta que el cargador de munición esté vacío o cuando los cilindros de CO₂ necesiten ser reemplazados. Una vez que el cargador de munición esté vacío, se necesitan seguir los pasos 1,3,4,5,6 y 7. Si los cilindros de CO₂ están vacíos entonces se necesitan seguir los 7 pasos. (Se pueden esperar hasta 160 disparos con cilindros de CO₂ nuevos que estén apropiadamente instalados.)

PASOS DE OPERACIÓN

Paso 1. Poner el seguro en "PUESTO" – NO SE VE ROJO.(FIG 2A)

Paso 2. Insertar los cilindros de CO₂

Paso 3. Insertar el cargador de munición cargado.

Paso 4. Amartillar.

Paso 5. Apuntar a un blanco seguro.

Paso 6. Poner el seguro en "NO PUESTO" – SE VE EL ROJO.(FIG 2B)

Paso 7. Disparar

Paso 8. Poner el seguro en "PUESTO" – NO SE VE ROJO.(FIG 2A)

NUNCA ALMACENE UN ARMA CARGADA

Después de la sesión de disparo, como una precaución de seguridad, siempre descargue las municiones y el CO₂ del rifle. (Vea las instrucciones en la página 21-22) y almacene el rifle no amartillado. Almacene en un lugar seguro para prevenir el uso no autorizado y almacene las municiones y el CO₂ en un lugar separado.

PASO 1. PONER EL SEGURO EN "PUESTO" – NO SE VE ROJO.

Encuentre el mecanismo de seguridad, directamente en frente del guardamonte. Jale la palanca de seguridad hacia atrás para que la seguridad esté en la posición segura "PUESTO" - NO SE VE ROJO. (FIG 2A)

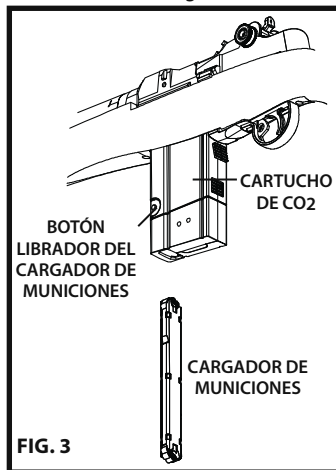
PRECAUCIÓN: Aun cuando el seguro esté en la posición segura "PUESTO", usted necesita continuar manejando manejar el arma con seguridad. No apunte el arma a nada que no quiera disparar. NOTA: La seguridad es manual y no es automática. Solamente hará su trabajo cuando usted haga el suyo. **RECUERDE, LA MEJOR SEGURIDAD ES EL BUEN MANEJO.**



PASO 2. INSERTAR LOS CILINDROS DE CO₂

A. Ponga el seguro en "PUESTO" – NO SE VE ROJO. (Fig. 2A)

B. Quite el cargador de municiones del cartucho del CO₂ presionando el botón librador del cargador de municiones localizado en la parte inferior, delantera a la izquierda del cartucho del CO₂. Ponga el cartucho del CO₂ a un lado. (Fig. 3)



C. Quite el cartucho del CO₂ presionando primero el botón librador mientras jala el sujetador hacia abajo. Presione el segundo botón librador de sujetador para quitar completamente el sujetador del arma. (Fig. 4A).

D. Quite la cubierta de la base del sujetador del CO₂ metiendo un dedo en el agujero del cargador de municiones y jalando la cubierta (Fig. 4B)

E. Adentro del cartucho del CO₂ hay una herramienta de mano pequeña con cabeza hexagonal utilizada para apretar los cilindros de CO₂. Quite la herramienta y guárdela (Fig. 4B).

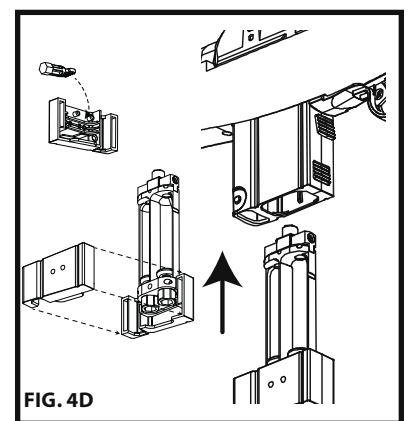
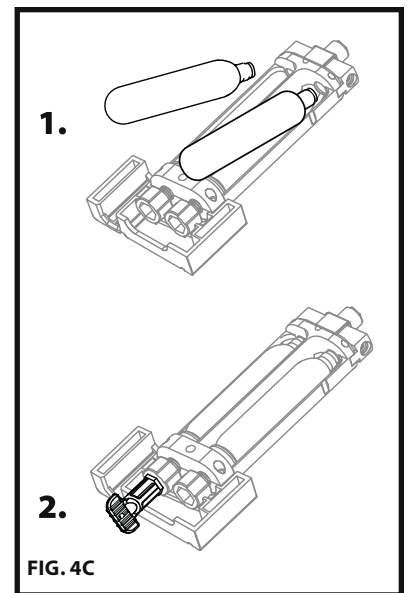
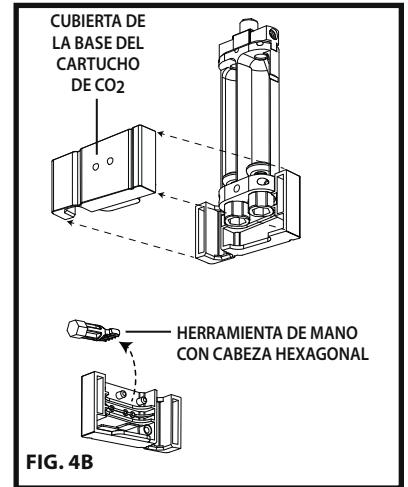
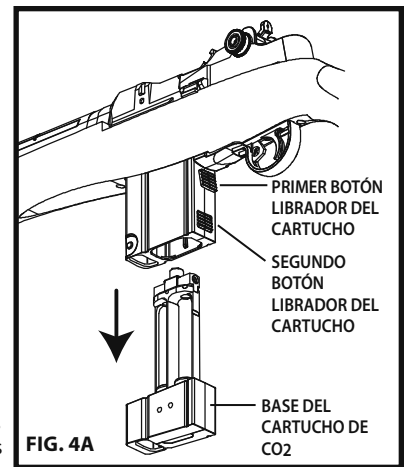
F. Inserte dos cilindros de 12 gramos de CO₂, los extremos pequeños primero, completamente en las cavidades del cartucho de CO₂. Posicione el extremo pequeño del cilindro de CO₂ para que los cilindros CO₂ toquen los pasadores de perforación. (Fig. 4C-1)

G. Usando la herramienta de mano pequeña con cabeza hexagonal incluida, apriete los tornillos hexagonales debajo de cada cilindro hacia la derecha para perforar los cilindros de CO₂. (Fig. 4C-2). Continúe apretando los tornillos RAPIDAMENTE hasta que estén apretados a fuerza de dedo. NOTA: Un poco de escape de gas CO₂ puede ocurrir hasta que los tornillos estén apretados.

H. Vuelva a colocar la cubierta de la base de CO₂ y vuelva a colocar el cartucho de CO₂ de regreso en el arma (Fig. 4D).

PRECAUCIÓN: Asegúrese de apuntar la boca en una dirección segura cuando instale los cilindros de CO₂. En evento de que el sello tenga una fuga temporal mientras los cilindros de CO₂ estén siendo perforados, el gas puede escapar por el cañón. Si hay municiones atoradas en el cañón antes de disparar, esto puede resultar en que la munición se dispare.

PRECAUCIÓN: Utilice solamente cilindros de CO₂ de 12 gramos. Cualquier intento de usar cualquier otro tipo de cilindro de gas puede ser extremadamente peligroso y puede resultar en lesiones severas. Gases que no sean CO₂ pueden resultar en una explosión o en una ruptura del arma.



PASO 3. INSERTAR EL CARGADOR DE MUNICIÓN CARGADO EN EL CARTUCHO DE CO2

Siempre apunte el arma en una dirección segura. Asegúrese que el arma esté en la posición segura "PUESTO" - NO SE VE ROJO. (Ver Pasos de Operación Paso 1) (Ver figura 2A)
Inserte un cargador de municiones cargado en el cartucho del CO2.

PRECAUCIÓN: Una vez que el cargador esté cargado con municiones y haya sido insertado en el cartucho y en el arma, el arma se considera cargada, así que utilice precaución extrema en el manejo del arma. Mantenga el arma apuntada en una dirección segura. Nunca apunte el arma hacia nadie. Siempre trate el arma como si estuviera cargada y lista para disparar.

CARGAR EL CARGADOR DE MUNICIONES

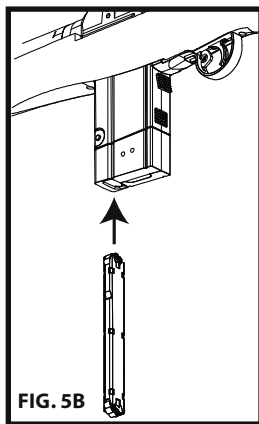
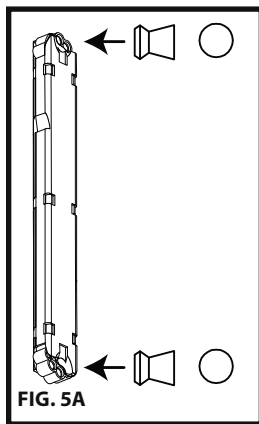
a. Agarrando el cargador de municiones del lado liso (mostrando ilustraciones de bolitas y balines) hacia usted, inserte cualquier perdigón o balín de calibre .177 (4.5mm) en cada una de las aperturas visibles del cargador en cada extremo del cargador. (Fig 5A)

b. Girando cada uno de los dos cilindros de municiones, usted puede cargar un total de 16 piezas de municiones (cualquier combinación de perdigones o balines de calibre .177).

PRECAUCIÓN: Los siguientes tres puntos necesitan ser estrictamente seguidos. Falta de hacerlo puede resultar en que el rifle no descargue un proyectil aunque pueda quedarse en el cañón. Esto puede resultar en una condición peligrosa. También, puede ocurrir atoramiento o daño al rifle.

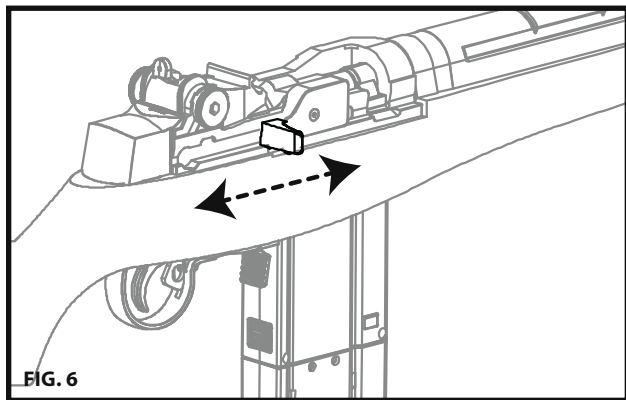
1. NO utilice perdigones distorsionados o deformados. Cuidadosamente revise el borde de cada perdigón antes de cargar. Utilice solamente perdigones o balines de calibre .177 (4.5mm) de la marca Daisy.
2. NO cargue los balines al revés. (por ejemplo NO cargue los perdigones con el borde hacia adelante.)
3. No utilice balines de RIF o rodamientos o cualquier otro objeto extraño.

c. Inserte el cargador de municiones cargado de regreso en el cartucho del CO2 (Fig. 5B)



PASO 4. AMARTILLAR.

Para amartillar el arma, mientras esté agarrando el arma firmemente y apuntándola en una dirección segura, agarre la manija del perno, jale hacia atrás y suelte. (FIG. 6) Su arma ya está amartillada y cargada, por lo tanto utilice precaución extrema en el manejo del arma. Cada vez que el gatillo se jale, otro proyectil será cargado. Aun si el arma no dispara, siempre suponga que el arma está cargada y manténgala apuntada en una dirección segura.

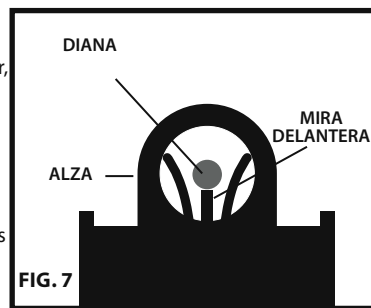


PASO 5. APUNTAR A UN BLANCO SEGURO.

Para ser un disparador consistente, utilice el dibujo de miras correcto cada vez que dispare su arma (FIG. 7)

PRECAUCIÓN:

Dado a la potencia de este Rifle de Aire CO2 Winchester, utilice precaución extrema en la selección de un cazabaline de blanco seguro. Los blancos incorrectos pueden causar rebote. Esta arma no debe ser utilizada con cazabalines de blancos diseñados para uso con armas de aire de baja velocidad. Seleccione un cazabaline de blanco que no causara rebotes. Utilice solamente cazabalines de blanco que están diseñados para uso con armas de potencia alta. No dispare los perdigones a una trampa de balines y no dispare a una superficie de agua ya que puede causar rebotes. (Vea la página 22 para seleccionar el cazabalines de blanco correcto.)



PASO 6. PONER EL SEGURO EN "NO PUESTO" - SE VE EL ROJO.

Cuando esté seguro que el blanco, el cazabalines y el área alrededor estén seguros, ponga el seguro en la posición "NO PUESTO" - SE VE EL ROJO presionando la palanca de seguridad hacia adelante. (FIG. 2B). El jalar el gatillo ahora disparará el arma.

PASO 7. DISPARAR

Asegúrese de que el arma esté apuntando a un blanco seguro y lentamente apriete el gatillo. **Dado a que la M14 tiene una acción semi automática, después del primer disparo el perno se echará para atrás y el arma se amartillará automáticamente y estará lista para el siguiente disparo. MANTENGA EL ARMA APUNTADA EN UNA DIRECCIÓN SEGURA.** Cuando haya disparado un total de 8 municiones, quite el cargador, dele vuelta e inserte en la posición opuesta en el sujetador del CO2 para disparar las 8 municiones restantes.

PASO 8. PONER EL SEGURO EN "PUESTO" - NO SE VE ROJO.

Después de disparar regrese la seguridad a la posición "PUESTO" - NO SE VE ROJO (FIG. 2A).

MUNICIÓN NO DISPARA

PRECAUCIÓN: Si los perdigones o los balines no disparan después de completar los pasos de operación, no suponga que el arma está descargada. Continúe apuntando el arma en una dirección segura y vuelva a repetir los pasos de operación con excepción de los Pasos 2 y 3.

HAGA LAS SIGUIENTES REVISIONES SI LA MUNICIÓN TODAVÍA NO DISPARA.

- A. ¿El cargador de municiones tiene municiones Daisy® Precision Max™ de calibre .177 (4.5mm) o municiones de calidad similar o fueron instalados en el arma correctamente? Si no, llene el cargador con perdigones o balines de .177 (4.5mm), vuelva a colocar el cargador en el sujetador de CO2 y en el arma y repita los pasos de operación.
- B. ¿La seguridad está en la posición "NO PUESTO" - SE VE EL ROJO cuando se jaló el gatillo? Si no, repita los pasos de operación.
- C. ¿Se instalaron apropiadamente dos cilindros de CO2 nuevos y los tornillos hexagonales fueron apretados lo suficiente para haber perforado los sellos de los cilindros de CO2? Si no, ponga la seguridad en "PUESTO" - NO SE VE EL ROJO. Coloque cilindros nuevos de CO2 y repita los pasos de operación. Vea la sección en características del CO2. (Página 22)
- D. Si el rifle todavía no dispara, vea la precaución a continuación.

PRECAUCIÓN: Si el rifle todavía no dispara un perdigón o un balín después de revisar todos los pasos anteriores, hay un fallo en el rifle. Esto puede presentar una situación peligrosa. Puede haber un perdigón o un balín en el rifle aunque un perdigón o un balín no se dispararon. Siempre trate el arma como si estuviera cargada. En ninguna ocasión debe ver por la boca del arma.

1. Ponga la seguridad en "PUESTO" - NO SE VE EL ROJO.
2. Quite cualquier CO2 y munición.
3. Con el arma apuntada a una dirección segura y paralela al suelo (como en la posición de disparo), pase una varilla de limpieza (de longitud suficiente para llegar a la recámara del arma) desde la boca

del cañón hacia la acción.

4. La munición atorada se debe salir por el agujero del cargador de munición.
5. Repita los pasos de operación.
6. Si después de seguir los pasos de operación el rifle aun no dispara, su arma necesita ser regresada a la fábrica (Vea **REPARACIÓN DE LOS RIFLES DE AIRE WINCHESTER** – Pagina 11)

COMO DESCARGAR

Después de terminar de disparar, el arma necesita ser descargada antes de almacenarla. Para descargarla, siempre ponga la seguridad en "PUESTO"- NO SE VE EL ROJO. Quite el CO₂ y cualquier munición del arma.

QUITE TODA LA MUNICIÓN Y EL CO₂

- A. Quite el cargador de municiones del cartucho de CO₂
- B. Gire los dos cargadores de municiones y quite cada balín o perdigón.
- C. Gire el primer botón librador del cartucho de CO₂ (FIG 4A) y parcialmente baje el cartucho CO₂.
- D. Quite la cubierta de la base de los cilindros de CO₂.
- E. Lentamente afloje los tornillos hexagonales debajo de cada cilindro de CO₂ para sacar el CO₂ restante.
- F. Quite completamente el cartucho de CO₂ presionando el segundo botón librador del cartucho (FIG 4A)
- G. Quite y tire apropiadamente los dos cilindros de CO₂.

PRECAUCIÓN: Nunca trate de volver a usar un cilindro de CO₂ para cualquier propósito.

PRECAUCIÓN: No suponga que el arma no tiene municiones cuando el cargador ha sido quitado del arma. Aunque haya seguido los pasos de descarga, continúe tratando el arma como si estuviera cargada. No la apunte a nada que no quiera disparar. Siempre ponga la seguridad en "PUESTO"- NO SE VE EL ROJO. Como siempre trate el arma como si estuviera cargada y lista para disparar.

CARACTERÍSTICAS DEL CO₂

Hay ocasiones en las cuales la pistola de CO₂ puede ser sujeta a condiciones anormales que pueden producir efectos en el rendimiento de la pistola. Estas condiciones incluyen operación y/o operación de la pistola en temperaturas que se consideran más altas o bajas que la temperatura exterior normal de 60 a 70 grados Fahrenheit (15.5° a 21° C), al igual que condiciones de disparo rápido.

1. Temperaturas altas pueden producir presión en el cilindro de CO₂ y el arma que es considerablemente más alta que la presión de operación normal. Tal aumento de presión puede prevenir que la pistola dispare y puede causar daño permanente al arma. Las temperaturas máximas de operación y almacenamiento no deben exceder 105° Fahrenheit (40°C). Esta temperatura fácilmente puede ser atendida si el arma se deja bajo el sol directo en un día soleado. Por lo tanto el tirador no debe exponer al arma a condiciones altas de temperatura o la luz solar directa por un tiempo extendido de tiempo.
2. El disparo rápido del arma puede causar que la temperatura baje en la pistola y el gas CO₂. Esto resultará en que la velocidad de los perdigones sea más baja y hasta puede bajar la presión del gas lo suficiente para que ya no dispare. Esta condición es especialmente aparente en climas fríos. Esta condición puede ser evitada permitiendo más tiempo entre los disparos. Esto permite que el gas suba en temperatura y presión y produzca velocidades normales.
3. Durante el disparo rápido, se espera que la velocidad de boca de cada tiro sea más baja. Esto puede ser perjudicial a la puntería del tirador. También, entre más rápido se dispare el arma, usted obtendrá menos tiros por cilindro.
4. Se debe usar cuidado para asegurar que el arma no sea disparada con un cilindro de CO₂ que tiene presión baja.

ALMACENAMIENTO

Almacene su pistola no cargada. Ponga el seguro en "PUESTO"- NO SE VE ROJO, quite el cilindro de CO₂ y quite toda la munición del cargador del arma. Mantenga el arma fuera del alcance de los niños y tiradores no entrenados. Almacene la munición y el cilindro de CO₂ en un lugar separado de la pistola para mantenerla lejos de tiradores no entrenados.

PRECAUCIÓN: Un cilindro de CO₂ contiene gas bajo presión, ya esté insertado en el arma o no. Si está expuesta a temperaturas altas (tales como adentro de un automóvil cerrado bajo luz solar directa) puede estallar. Asegúrese de almacenar todos los cilindros en un lugar fresco.

CUIDADO APROPIADO

Con cuidados y limpieza periódica, su Rifle de Aire Winchester le

proveerá muchos años de deleite disparando su pistola. Como es en el caso de armas de fuego convencionales, el abuso, negligencia y exposición a los elementos dañará el rendimiento de cualquier arma de aire. Aprenda a cuidar su pistola y le rendirá bien.

PRECAUCIÓN: Nunca trate de limpiar su Rifle de Aire Winchester hasta que el seguro esté en "PUESTO"- NO SE VE EL ROJO y los cilindros de CO₂ hayan sido quitados y el cargador de municiones haya sido quitado.

PARTES EXTERIORES

Cualquier parte de plástico puede ser limpiada con un trapo húmedo y jabón o detergente suave. Evite el uso de detergentes fuertes, materiales de limpieza o solventes abrasivos que puedan raspar o de alguna otra manera dañar las superficies.

LUBRICACIÓN

Su Rifle de Aire Winchester fue lubricado al ser fabricado y no debe necesitar lubricación adicional.

MODIFICACIÓN

PRECAUCIÓN: Los componentes de esta arma fueron fabricados para ofrecer un rendimiento óptimo. Cualquier modificación o alteración con el arma pueden causar un funcionamiento defectuoso y puede rendir al arma no segura de usar. Cualquier cambio en el rendimiento (tal como una fuerza de jale del gatillo disminuida o una trayectoria disminuida del gatillo), indican una posible modificación, alteración y/o gasto. Tal arma necesita ser inspeccionada, reemplazada o apropiadamente reparada por un personal cualificado. Cualquier arma que se ha caído necesita ser revisada por un personal cualificado para asegurar que el funcionamiento no ha sido afectado.

PRECAUCIÓN: UNA PISTOLA QUE NO ESTÉ FUNCIONANDO APROPIADAMENTE PUEDE SER PELIGROSA. DEBE SER ALMACENADA SEGURAMENTE FUERA DEL ALCANCE DE CUALQUIER PERSONA HASTA QUE SEA REPARADA O DESTRUIDA. NO TRATE DE DESARMAR SU ARMA. ES DIFÍCIL DE VOLVER A ENSAMBLARLA Y UN ENSAMBLAJE INCORRECTO PUEDE CAUSAR CONDICIONES PELIGROSAS.

REPARACIÓN DE RIFLES DE AIRE WINCHESTER®

ARMAS BAJO GARANTÍA

GARANTÍA LIMITADA DE UN AÑO

Por un año de la fecha de compra, Daisy reparará o reemplazará y regresará el arma, sin costo alguno, si hay defectos en el material o la fabricación. Servicio es disponible regresando el arma a Daisy Outdoor Products (vea la nota importante siguiente). Fije a su arma su nombre, dirección de calle y número telefónico, descripción del problema y comprobante de fecha de compra (recibo de compra). Empaquete y envíe con transporte pre pagado a Daisy Outdoor Products. Esta garantía le da derechos legales específicos y también puede tener otros derechos que pueden variar de estado a estado.

IMPORTANTE: Usted puede regresar su pistola fuera de servicio a Daisy Outdoor Products para reparación por United Parcel Service (UPS). Asegúrese de quitar toda la munición y los cilindros de CO₂ antes de regresar la pistola a Daisy. Necesita incluir su dirección de calle para que Daisy le pueda enviar su arma directamente a usted por entrega de UPS.

ARMAS FUERA DE GARANTÍA

Si su Rifle de Aire Winchester necesita ser reparado, por favor llame al 1-800-713-2479 para los cargos de reparación. Daisy reparará su arma o la reemplazará con un arma reacondicionada del mismo modelo, si hay disponibles; de otra manera, con un modelo de calidad equivalente.

Daisy Outdoor Products, Service Department
308 West Stribling Drive, Rogers, AR 72756 U.S.A.

Modelo M14 – ESPECIFICACIONES

ACCIÓN	Semiautomática; Impulsada por CO ₂
CALIBRE	.177 Calibre (4.5 mm)
MIRAS	Mira dióptrica trasera ajustable; punta de mira fija
CULATA/GUARDAMANO	Compuesta
CAPACIDAD	Cargador de municiones de 16 tiros (cargador girador de 2 lados de 8 tiros)
SEGURIDAD	Seguro de palanca de gatillo
CAÑÓN	Acero rayado
VELOCIDAD DE LA BOCA	700 pps
DISTANCIA MÁXIMA DE DISPARO*	280 yardas (256 metros)
LONGITUD TOTAL	44.25 pulgadas
PESO	4.4 libras

*Con la boca apuntando hacia arriba a un ángulo máximo



Introducción a Dispara con Armas de Aire Winchester®

Winchester® es una marca registrada utilizada bajo licencia por Daisy®

UN MENSAJE A LOS PADRES

Incluido en el material adjunto a cada Rifle de Aire Winchester® hay una lista de revisión cubriendo los aspectos más importantes del manejo apropiado de las armas. Le recomendamos que utilice esta lista para asegurarse de que cualquier persona que esté operando el Rifle de Aire Winchester tenga una comprensión completa de las reglas y sea diligente en su práctica. Aunque no es un arma de fuego, un Rifle de Aire Winchester es un arma y no un juguete. Así como con un arma de fuego, cuando no es utilizada correctamente o sin cuidado, su Rifle de Aire Winchester puede matar o seriamente lesionar al tirador o a otras personas. Con uso apropiado y cuidado, esta arma puede ofrecerle muchas horas de tiro recreacional seguro y sin problemas. Con uso incorrecto puede ser peligrosa. Por lo tanto, solamente debe ser utilizada por alguien de dieciséis años de edad o mayor.

El manejo seguro depende de una capacitación apropiada de seguridad y la actitud correcta hacia ser propietario de un arma. Para ayudarlos, hemos diseñado este libretto para cubrir los puntos básicos que todos necesitan entender antes de disparar un arma. Tómese el tiempo de estudiarlo completamente. Una comprensión apropiada de estos puntos básicos realmente aumentará su diversión del deporte recreacional de tiro con rifle de aire que puede disfrutar toda su vida, y al mismo tiempo le da la satisfacción de saber que usted está completamente preparado para manejar su rifle de aire.

Si usted o su hijo o hija (de edad de 16 o mayor) es propietario de un Rifle de Aire Winchester, le recomendamos fuertemente que se inscriba usted y a ellos en un curso formal de instrucción de tiro. Los rifles de aire de Daisy Outdoor Products son nivelados por edad para ayudarlos a seleccionar el producto perfecto para su hijo o hija. Los Rifles de Aire Winchester son para disparadores adultos o aquellos de 16 años de edad o mayores con supervisión de un adulto. Hay un número de organizaciones de jóvenes y cívicas las cuales ofrecen un curso completo de 10 lecciones basado en las normas desarrolladas por entrenadores expertos de Daisy, y están listados en la sección de CLUBS y COMPETENCIAS cerca del final de este libretto. Un llamado rápido a ellos les dirá cuando empezará el siguiente curso en su área. Si desea más información detallada, escriba a: Special Market Programs, Daisy, Box 220, Rogers, Arkansas 72757.

¿QUÉ ES UN RIFLE DE AIRE WINCHESTER?

El diseño y manufactura de los Rifles de Aire y Pistolas Winchester ofrecen un nivel alto de rendimiento de disparo. Con una potencia más grande que un arma de perdigones para jóvenes, su perfección de rendimiento y operación las han traído a la atención de hasta los más serios tiradores deportistas.

En años recientes, los tiradores deportistas han empezado a sentir el apriete de espacio y dinero limitado para disparar sus armas. Los Rifles de Aire Winchester quitan estos límites tanto para los entusiastas que quieren poder practicar su puntería a bajo costo todo el año, adentro o afuera, y para los tiradores dedicados interesados en competencia hombro a hombro. Con un Rifle de Aire Winchester usted puede recibir un arma que se ve, se siente y rinde igual a las armas para adultos fácilmente a una fracción del costo de usar armas de fuego.

MANEJO APROPIADO DE ARMAS

Usted puede estar familiarizado con las responsabilidades del manejo apropiado de un arma, pero el hecho de que su nuevo Rifle de Aire Winchester tiene hasta diez veces más potencia que un rifle de aire tradicional quiere decir que se necesita cuidado adicional. Al reparar las reglas básicas del manejo apropiado para un arma, tenga en mente que el "manejo" quiere decir cada vez que toca su arma.

- Siempre mantenga la boca apuntada en una dirección segura.
- Trate cualquier arma como si estuviera cargada.
- Solamente cargue o amartille un arma cuando esté listo para disparar.
- Cualquiera que esté disparando o alguien observando al tirador necesita usar lentes de disparo y necesita estar parado detrás del tirador.
- Nunca trepe o brinque con un arma cargada.
- Evite el tiro de rebote.
- Mantenga la boca libre de impedimentos.
- Las armas que no estén en uso necesitan ser descargadas.
- Respete la propiedad de otras personas.
- Revise su blanco y el área detrás de su blanco.

Noventa y nueve por ciento de los accidentes relacionados a las armas de aire que ocurren en este país son causados por: (1) manejo sin cuidado del arma, (2) creer que el arma está vacía cuando no lo está, o (3) disparar a blancos no apropiados. Todas estas causas pueden ser eliminadas si el tirador maneja su arma apropiadamente.

SU RIFLE DE AIRE WINCHESTER ES UN ARMA PARA BLANCOS

Su Rifle de Aire Winchester ha sido diseñado para tiro al blanco y puede ser utilizada tanto adentro como afuera para ayudarlo a mejorar sus habilidades de tiro al blanco. Sin embargo, su Rifle de Aire Winchester quiere decir más velocidad y energía, así que tome cuidado en preparar su blanco. Cazabalines diseñados para uso con perdigones o balines de baja velocidad (menos de 350 pies por segundo) no deben ser utilizados con un Rifle de Aire Winchester. Siempre utilice un cazabalines diseñado para evitar el tiro de rebote y coloque refuerzos adicionales atrás de su blanco para compensar por la potencia adicional (Ver Como Hacer un Blanco Interior-Exterior, pagina 27.)

CONSEJOS DE PUNTERÍA

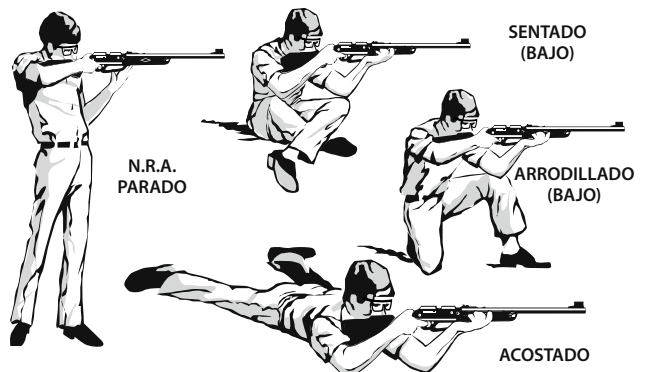
Muchas personas se hacen competentes en el manejo del arma sin aprender las bases de la buena puntería. Sin embargo, estas bases tienen un propósito mejorar sus habilidades. Si no han aprendido hasta ahora, ahora es el tiempo de empezar. Si ya las ha aprendido, esto les puede servir como un buen repaso.

GATILLO Y CONTROL DE RESPIRACIÓN

Cuando empiece a verlo de cerca, el control del gatillo simplemente es el conocimiento de su arma. Coloque sus miras en línea. En el momento que tenga la imagen del blanco correcto, apriete el gatillo. Nunca jale rápidamente del gatillo o arruinará su puntería. Para hacer esto, usted necesita conocer su arma suficientemente bien para saber cuál es el punto poco antes de disparar el arma. Luego en el momento exacto que usted desee, el gatillo puede ser jalado con muy poco disturbio a la imagen del blanco. El control del gatillo sucede solamente con la práctica. Siga intentando, pronto será un experto.

El respirar en el momento inadecuado puede causar que su cuerpo se mueva y su puntería se pierda. Así que respire apropiadamente. Antes de levantar el arma a la posición de disparo, respire profundamente, luego deje el aire salir parcialmente con el brazo en la posición de disparo. Detenga su respiración hasta que dispare su arma.

Si después de 7 u 8 segundos de mantener su respiración no ha disparado su arma, mueva su brazo hacia atrás 90 grados (boca hacia arriba), relájese y respire normalmente por unos segundos. Luego tome su "respiración de tiro" e intente otra vez.



PARADO

- De una posición directamente enfrentado al blanco, de vuelta levemente hacia la derecha de la línea de tiro. Las rodillas necesitan estar derechas pero no cerradas.
- Agarre el guardamano del arma con su mano izquierda y coloque la cantonera de su arma en el espacio de su hombro con la boca apuntada hacia arriba
- Con la mano derecha, agarre culata lo más adelante posible en la garganta del rifle, luego presione su cachete levemente junto a la culata lo más adelante posible sin estiramiento.
- Tire su cadera izquierda hacia enfrente, baje el arma a nivel del hombro y con el codo izquierdo directamente abajo del arma permita que la parte superior de su brazo izquierdo descansa junto a su cuerpo.
- El guardamano de su arma necesita estar apoyada por la palma de su mano izquierda. (Su pulgar y las puntas de sus dedos, si está utilizando la posición parada de N.R.A.)
- Mueva su peso al pie izquierdo e incline la parte superior de su cuerpo en dirección opuesta del blanco. Para asumir otras posiciones: (se debe notar que tiradores zurdos necesitan usar las instrucciones de manera opuesta cuando está asumiendo las posiciones.)

ACOSTADO

- Voltee medio a la derecha, luego acuéstese a un ángulo de aproximadamente 45 grados de la línea de fuego. La pierna izquierda necesita estar totalmente relajada. La pierna derecha debe estar a un ángulo de la columna y puede estar doblada o derecha. Los pies necesitan estar tan planos al suelo como se pueda.

SENTADO

- Voltee medio a la derecha, luego en una posición baja, cruce sus piernas en frente de usted con la parte exterior de cada pie descansando en el suelo y apoyando las rodillas. Los codos deben estar puestos cerca de la rodilla, formando un triángulo para apoyar el rifle.
- En la posición alta, las piernas no están cruzadas; los pies están bien separados, con los tobillos apoyados y el cuerpo inclinado hacia delante para que los codos puedan ser apoyados por las rodillas.

ARRODILLADO

- Voltee medio a la derecha y baje sobre su rodilla derecha. En la posición baja, el pie izquierdo necesita estar extendido lo más adelante cómodamente posible, mientras que la pierna derecha esta plana sobre el suelo con el tirador sentado en el lado de su pie. En la posición alta, el tirador se sienta sobre su tobillo derecho.

PUNTERÍA



HARÁ QUE SU ARMA
DISPARE MUY ALTO



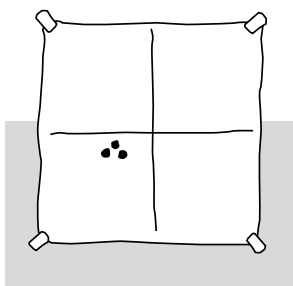
HARÁ QUE SU ARMA
DISPARE MUY BAJO



IMAGEN DEL BLANCO
CORRECTA

APUNTANDO SU ARMA

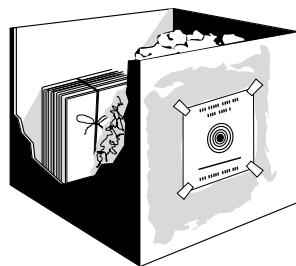
El primer paso en la alineación apropiada de la puntería es el determinar el agrupamiento de disparo de su nuevo Rifle de Aire Winchester. Para hacer esto, posicione un descanso, tal como una tabla o un banco, 33 pies de su blanco. Coloque su rifle en el descanso y apunte al mismo punto en el blanco cada vez, dispare tres tiros. No intente hacer ajustes durante sus tres tiros. Ahora solamente está interesado en que tan bien se agrupan sus tiros. Una vez que haya determinado la habilidad de agrupamiento de usted y su arma de aire, ahora puede ajustar sus miras para poner su agrupamiento sobre el blanco. NOTA: Puede ser necesario que cada persona que dispare su Rifle de Aire Winchester necesite ajustar sus miras para su propio patrón de mira. NOTA: Algunas armas tienen miras fijas y no pueden ser ajustadas. No hay miras abiertas en el Modelo 1029S.



COMO HACER UN BLANCO INTERIOR-EXTERIOR

Dado a la velocidad y la energía de su Rifle de Aire Winchester, se necesita tomar cuidado para asegurarse de que tenga un cazabalines adecuado para su blanco. Una caja de cartón de 16 pulgadas o mas de profundidad, y con por lo menos un cuadro de dos pies de superficie de frente, puede ser utilizada para la base de su blanco.

Centre 3 pulgadas de revistas fuertemente sujetadas (no sustituya periódicos) en la parte adentro de la pared posterior del lado opuesto del blanco y luego llene completamente la caja con bolas de periódico fuertemente apretadas para prevenir tiro de rebote. Una vez que el cazabalines esté listo, pegue el blanco a la parte de enfrente de la caja. No utilice sujetadores de metal—los perdigones o balines pueden rebotar. Al usar el cazabalines, este necesita ser revisado cercanamente y necesita ser cambiado cuando los perdigones o los balines han penetrado a la mitad del grosor de las revistas.



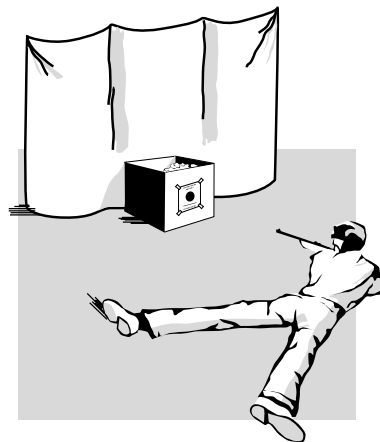
PRECAUCIÓN: Ya sea que compre un cazabalines o haga el suyo, es importante recordar que se desgastan con uso continuo. Dado a esto, siempre debe colocar su cazabalines en donde estará seguro si es que falla, y revíselo cuidadosamente antes y después de cada uso. Un rebote severo o tiro de rebote es una indicación de que el cazabalines tiene faltas y necesita dejar de utilizarlo inmediatamente.

TIRO INTERIOR

Adentro igual que afuera, las reglas de manejo apropiado son las mismas. Si estas reglas son observadas, su Rifle de Aire es seguro para tiro interior. Solamente recuerde de tener la potencia del arma en mente y cuidadosamente siga las instrucciones para la construcción de un cazabalines para su blanco.

El alto rendimiento de los Rifles de Aire Winchester, las armas potenciadas por CO₂, las armas de resorte de cilindro y los rifles de aire neumático de bombeo sencillo dan una potencia máxima consistente; así que asegúrese que el cazabalines ha sido construido correctamente.

Por razones de seguridad, necesita colocar el blanco para que no haya puertas de entrada en frente o a los lados de la línea de fuego o atrás de los blancos. Si esto no es posible, entonces las puertas en el área necesitan ser bloqueadas. Una lona o una manta pesada que está separada de la pared y alcanza hasta el suelo debe estar colgada detrás del cazabalines. Esto puede prevenir un tiro de rebote si es que falla tirarle al cazabalines. Finalmente, su blanco necesita estar bien iluminado.



TIRO EXTERIOR

Mientras que su Rifle de Aire Winchester es excelente para tiro exterior, su potencia excepcional quiere decir que se necesita más precaución. El cazabalines descrito en la página anterior funcionará igual de bien para tiro exterior cuando el espacio es limitado. Asegúrese que el área de blanco este vacía y segura antes de disparar.

UTILICE LAS MUNICIONES CORRECTAS

Los Rifles de Aire Winchester están diseñados para utilizar varios tipos de balines o perdigones. Asegúrese de revisar las instrucciones estampadas en su Rifle de Aire Winchester para asegurarse de que esté usando la munición correcta. Si se utiliza munición incorrecta, su arma no alimentará correctamente y se puede atorar, posiblemente resultando en lesiones serias. Ya que municiones sucias o malformadas pueden atorar su arma, NO vuelva a utilizar perdigones o balines.



Daisy Outdoor Products®

Rogers, AR 72757 U.S.A.

1-800-643-3458 • www.daisy.com

Rev. 01/12

Part No. 300519-000



NO REGRESE



este rifle de aire a la tienda de donde lo compró. Si no está satisfecho con la calidad o rendimiento de este rifle de aire, por favor llame al Servicio al Cliente o regreéselo a:

Daisy Outdoor Products
308 West Stribling Drive
Rogers, AR 72756

Attn: Service Department

Por favor llene la tarjeta adjunta y regreésela con una copia de su comprobante de compra fechado (solamente para uso de comprobante de compra) junto con su arma de aire. Todas las armas de aire Daisy, PowerLine, Rifles de Aire Winchester y Avanti tienen un año de garantía de la fecha de compra. Los puntos de mira tienen garantía de 90 días. Lea el Manual de Operaciones para información de garantía específica. Daisy solo puede ofrecer reembolsos en mercancía comprada directamente de Departamento de Servicio al Cliente de Daisy o de nuestro sitio Web. Si usted compró esta mercancía de una tienda, con gusto la repararemos o la remplazaremos de acuerdo a nuestra póliza de garantía.

Por favor llame al Servicio al Cliente al 1-800-713-2479 si tiene alguna pregunta.

**LEA TODO EL MANUAL DE OPERACIONES
Y TODAS PRECAUCIONES ANTES DE USAR.**



AVISO: ESTO NO ES UN JUGUETE. SE REQUIERE SUPERVISIÓN DE ADULTO. EL USO INDEBIDO O NEGLIGENTE PUEDE ACARREAR GRAVES LESIONES O MUERTES. PUEDE SER PELIGROSO HASTA 280 YARDAS (256 METROS).

ÉSTE ES UN RIFLE DE AIRE COMPRIMIDO DE GRAN POTENCIA RECOMENDADO PARA PERSONAS DE 16 AÑOS DE EDAD O MÁS. LEA TODAS LAS INSTRUCCIONES ANTES DE USARLO. EL COMPRADOR Y EL USUARIO DEBEN CUMPLIR TODAS LAS LEYES SOBRE EL USO Y LA PROPIEDAD DE RIFLES DE AIRE COMPRIMIDO.

DE ACUERDO A LA LEY DE CALIFORNIA



AVISO: NO SAQUE O MUESTRE EL ARMA DE AIRE DE COMPRESIÓN EN PÚBLICO-CONFUNDIR A LA GENTE Y PUEDE SER UN CRIMEN. LA POLICÍA Y OTROS PUEDEN PENSAR QUE EL ARMA DE AIRE ES UN ARMA DE FUEGO. NO LE CAMBIE LA COLORACIÓN Y LAS MARCAS PARA QUE PAREZCA MÁS COMO UN ARMA DE FUEGO. ESTO ES PELIGROSO Y PUEDE SER UN CRIMEN.



AVISO: AUNQUE HAYA DISPARADO SU ARMA DE AIRE UNA O MÁS VECES Y NO HAYA SALIDO UN BALÍN ESO NO QUIERE DECIR QUE LA RECÁMARA DEL ARMA ESTÉ VACÍA DE BALINES. CONTINUE TRATANDO EL ARMA DE AIRE COMO SI ESTUVIERA CARGADA.