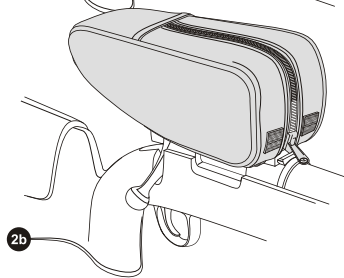
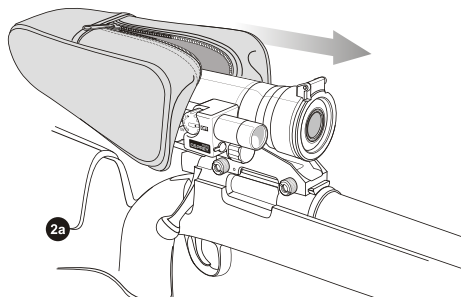
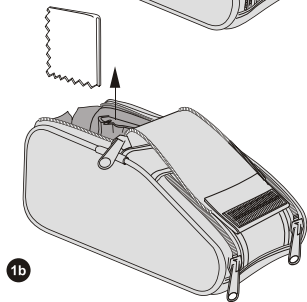
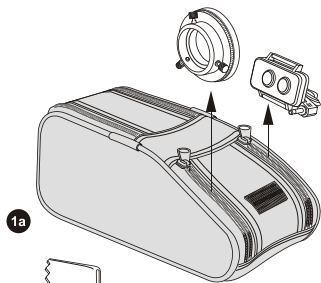


I N S T R U C T I O N S

Night Vision Riflescope



www.yukonoptics.com



SPECIFICATIONS	26011	26012	26013
Visual Magnification, x	2.5	1.5	2.5
Objective diameter, mm	42	42	50
Resolution, lines/mm	30	30	30
Angular Field of View	14°	20°	15°
Recognition Range, yd/m*	200 / 200	200 / 200	200 / 200
Eyepiece Adjustment, diopters	± 4	± 4	± 4
Operating Voltage, V	3(2 AA)	3(2 AA)	3(2 AA)
Eye Relief, mm	45	45	45
Temperature Range	-22°F ~ +104°F / -30°C~+40°C		
Maximum Humidity, %	93	93	93
Operating Time, hour	50	50	50
Dimensions:			
Length, in/mm	9.0 / 230	8.5 / 218	10 / 255
Width, in/mm	3.1 / 80	3.1 / 80	3.1 / 80
Height, in/mm	3.3 / 85	3.3 / 85	3.3 / 85
Weight, oz/kg	25 / 0.7	21 / 0.6	26.5 / 0.75

* Maximum distance at which a human figure can be recognized under ideal viewing conditions. Ideal viewing conditions are defined as clear atmosphere (no fog, dust, etc.) with ambient light as produced by 1/4 moon (5×10^{-2} lux minimum).

UNPACKING THE UNIT

Your NVRS night vision riflescope is shipped with the following:

- Carrying Case
- Photo Adapter Reducer*
- Remote Control
- This User's Manual
- One Warranty Registration Card

*only for riflescopes with Weaver mounts



OVERVIEW

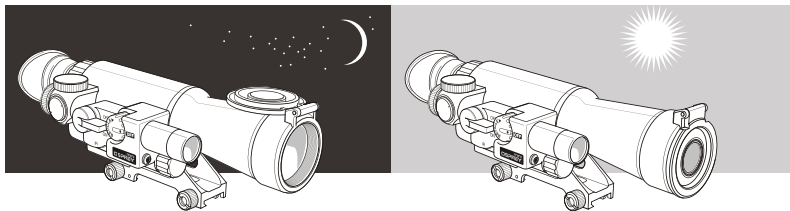
Your NVRS starlight night vision scope is a professional-quality device designed to provide high quality viewing in nearly total darkness. Many active night vision devices require an artificial infrared light source. The NVRS is a passive starlight device: it does NOT require any artificial light source.

The NVRS does include a powerful infrared illuminator that is useful when the subject to be viewed is in shadows or total darkness.

The NVRS consists of a sophisticated electro-optical assembly contained in an extremely durable titanium housing. The entire unit is ruggedized for extreme field conditions. It is entirely self-contained and can operate for up to 50 hours at temperatures ranging from -22°F to $+104^{\circ}\text{F}$ (-30°C ~ $+40^{\circ}\text{C}$).

Your NVRS scope is ideal for a wide variety of professional and recreational uses including:

- Wildlife observation
- Security
- Search and rescue
- Nighttime photo/video



WARNINGS AND PRECAUTIONS

Your NVRS night vision scope was designed to provide many years of reliable service.

To ensure that you get the most enjoyment out of your NVRS, always obey the following Warnings and Precautions:

- The NVRS is equipped with flash protection system to prevent damage to the light amplification system by accidental exposure to bright light. Avoidance is recommended, however. Do not remove the lens cap in a lighted area if the unit has been activated or if the eyepiece shows a green glow. Turn the unit off and wait until the green glow dissipates before removing the lens cap.

- We do not recommend using the scope during daylight hours. The scope is well protected by both the IR Filter lens cap and the flash protection circuitry so damage will not result if the proper precautions are followed - however, we suggest that the use of the NVRS be restricted to nighttime only.
- Do not open the case of the NVRS or otherwise attempt to service this device.
- Clean optical parts (lenses) with professional lens-cleaning supplies designed for use with multicoated optics.

Failure to observe these warnings may void the warranty.

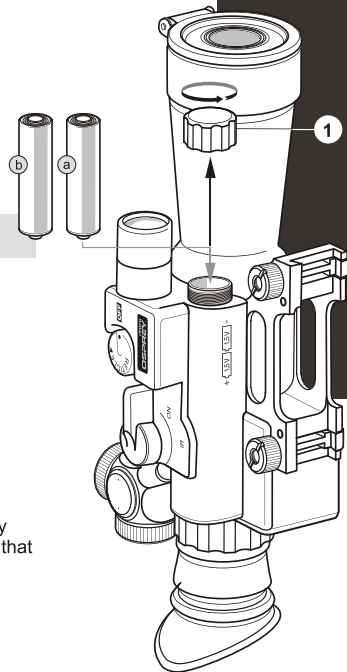
BATTERY INSTALLATION

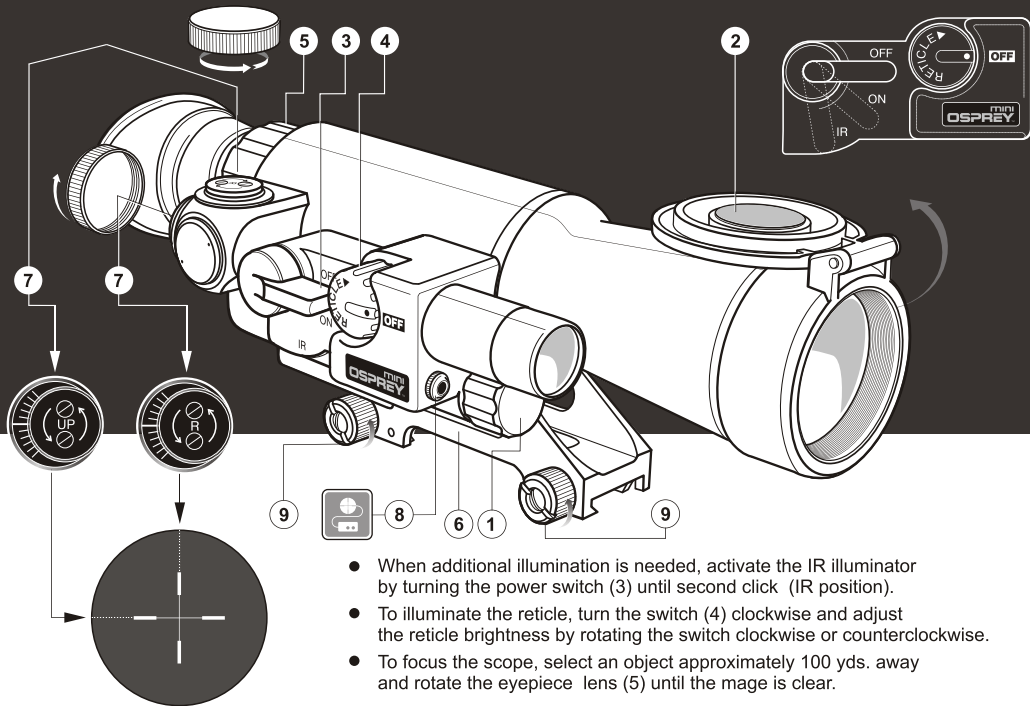
To install the two AA batteries, unscrew the battery compartment cover. Slide in the batteries according to +/- polarity indicated on the cover. Tighten the battery compartment cover (1).

OPERATION

Your NVRS scope operates using two AA batteries. Make sure they have been installed according to instructions listed in the Battery Installation section.

- Move into a dark area before powering on the device. You can also try your scope in daylight with the lens cover on - it has a built-in IR filter that will protect your scope from excess exposure to light.
- Remove the lens cap (2) only when the scope is in the dark.
- Activate the device by turning the power switch (3) down to the first click (ON position).





- When additional illumination is needed, activate the IR illuminator by turning the power switch (3) until second click (IR position).
- To illuminate the reticle, turn the switch (4) clockwise and adjust the reticle brightness by rotating the switch clockwise or counterclockwise.
- To focus the scope, select an object approximately 100 yds. away and rotate the eyepiece lens (5) until the image is clear.

- The green LED indicates that the scope is on. The “ON” LED turns red when the battery starts discharging. In this case the device operates normally but IR illuminator may not work effectively.
- The night vision riflescope NVRS can be attached on any rifle equipped with a bar for side or top mounting by use of a Weaver mount (6). The scope is produced with different mount modifications. The unauthorized replacement or assembly of the mounts is not allowed.
- After mounting the riflescope, it will be necessary to zero the scope by firing at a target and making the necessary adjustments using the reticle-adjusting knobs (7).
- You may power up the scope and the IR illuminator via the remote control accessory by inserting the connector of the remote into the jack (8).

ATTENTION! Your NVRS can be used in extremely cold temperatures. However, when the unit is brought back into a warm environment, you must wait approximately 5 HOURS before using the unit. This is due to condensation that may accumulate on the electronic circuitry.

ZEROING OF THE RIFLESCOPE

It is recommended to zero your riflescope at operating temperature according to the following sequence:

- place your rifle with a riflescope on a support;
- make sure there are no bright light sources in your scope’s field of view;
- put the target at a zeroing distance, for instance 50m. The illumination of the target area should not be greater than 1 lux;
- remove flip-up cap from the objective lens;
- activate the device by turning the power switch (3) to the “ON” position;
- aim the foresight of the rifle to a center of the target;
- rotate the eyepiece ring (5) until the target image is clear;
- adjust the reticle brightness by rotating the switch (4);

- if the centre of the target does not coincide with the aiming dot (the centre of the red reticle), remove the caps from reticle-adjusting knobs (7) and rotate the knobs R and UP until the centre of the target and the centre of the reticle coincide;
- aim at the aiming dot and fire 3-4 control shots;
- determine the close grouping of shots and the position of the middle hit point;
- if the deviation of the middle hit point is more than the allowable value, rotate the reticle-adjusting knobs (R - vertical adjustment, UP - horizontal adjustment) until the middle hit point coincides with the aiming dot. One click of the adjusting knob will cause a 20mm shift at a distance of 100m;
- check the accuracy of adjustment by shooting.
Your riflescope is zeroed at a chosen distance.

ATTENTION! Generation 1 Riflescopes NVRS hold the energy stroke of the cartridge up to 3500 Joules. The guarantee is null if cartridges with the energy charge of more than 3500 Joules or self-made cartridges have been used.

MAINTENANCE

To avoid failures during operation of your riflescope and to provide the detection and elimination of reasons causing the premature deterioration of assemblies and parts in time, it is necessary to carry out technical inspection and technical maintenance of the riflescope.

A) TECHNICAL INSPECTION

It is necessary to take the following steps during technical inspection:

- carry out the external examination of the riflescope (external surfaces should not have splits, dents and signs of corrosion);
- check if the riflescope properly and securely mounted on the rifle (clearance is inadmissible);
- check the condition of optical surfaces: objective and eyepiece lenses should not have splits, fat stains, dirt, and various coatings on them;
- check the condition of power supply elements and contacts (contacts should not be oxidized or have salt coatings on);

- check the work of operation switches and of a reticle brightness switch;

Having detected some malfunction while using the riflescope, it is necessary to check the following:

- riflescope's mounting on a rifle;
- the absence of dust, dirt, hoar-frost, water, etc on the objective lens;
- if the batteries are discharged;
- if the riflescope is on.

Pay particular attention to ensure that batteries have been installed.

B) CURRENT MAINTENANCE

Carry out the current maintenance of the riflescope at least once in a half of a year.

Current maintenance requires the following steps to be taken:

- remove dust, dirt and moisture from the riflescope;
- clean the external surfaces of metal parts;
- clean the optics of the scope using a light coating of lens cleaning solution on a soft cotton cloth.

ATTENTION!

DISMANTLEMENT OF THE RIFLESCOPE IS PROHIBITED!

USING THE PHOTO ADAPTER

You can take night pictures with the help of the riflescope using digital cameras. For these purposes you require a night vision photo adapter for digital cameras. Install the reducer into a riflescope's mount. Setup the digital camera is done according to the photo adapter operating manual.

STORAGE

Always store the NVRS in its case in a dry, well-ventilated area away from heating/air conditioning vents, or heating devices. Temperature should not go below +50°F. Humidity should not exceed 70%.

Remove the batteries if the device is to be stored for longer than 2 months.

TROUBLESHOOTING

- **The NVRS does not work...** Make sure that the batteries have been installed and that they are in good condition.
- **Condensation collects on the unit...** Your NVRS can be used in extremely cold temperatures. However, when the unit is brought back into a warm environment, you must wait approximately 5 HOURS before using the unit. This is due to condensation that may accumulate on the electronic circuitry.
- **I cannot focus the NVRS...** Adjust the eyepiece according to the instructions listed in the Operation section of this manual. If the NVRS still does not focus, clean the optical parts thoroughly -- they may be fogged or dirty.
- **Indistinct shift of the reticle...** In case the vertical deviation of the reticle while your riflescope is being tested, click the horizontal reticle adjusting knob (UP) 2-5 times in one direction and return the knob to the initial position.
- **Some black spots in the image...** Small black spots or groups of black spots are acceptable in the image. Most of black spots are visible only at daytime and they become invisible during operation of the riflescope.

WARRANTY

The Manufacturer warrants its products against defects in materials and workmanship for a period of three years from the original date of purchase. Any device returned for warranty service must be judged by The Manufacturer as having been used according to its original design intents. As such, misuse, neglect, or any abnormal use is not covered by this warranty. The Manufacturer will repair or replace products or parts thereof, which, upon inspection by The Manufacturer, are found to be defective in either materials or workmanship. As a condition of The Manufacturer's obligation regarding warranty work, the product must be returned to The Manufacturer with satisfactory proof of purchase. It is highly recommended that you fill out and return your warranty registration card to ensure the warranty coverage. This warranty is null and void if equipment has been altered, tampered with, modified, or otherwise abused, mishandled, or subjected to unauthorized repairs. The Manufacturer disclaims any other warranties, either expressed or implied, except as expressed herein. The sole obligation of the Manufacturer is to repair or replace the covered device.